

C A T A L O G U E

DAWN

Quality Tools
Vices & Clamps

Est. 1917 - Australia

LEGENDARY AUSTRALIAN COMPANY
THE QUALITY DIFFERENCE IN HAND TOOLS

PREMIUM QUALITY VICES & CLAMPS 100% AUSTRALIAN OWNED

Progressive and Dynamic Future



Automated foundry system to achieve good quality castings



CNC Machine used for accurately machining the vices



Tested Technology



Manufacturing Plant



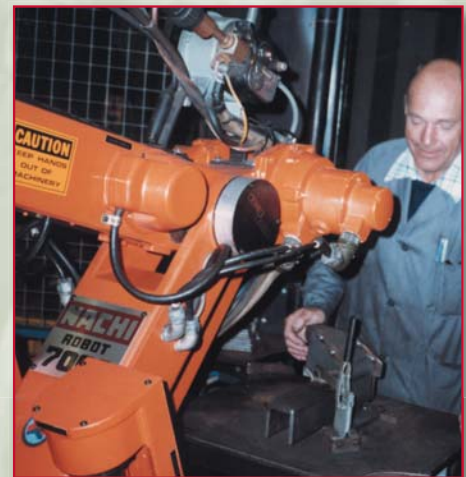
Warehouse



Stack Moulding of G-Clamp castings using chemically bonded sand to achieve good surface finish



Vice slides waiting to be machined



Welding Robot used for achieving precision welds on our fabricated vices



THE DAWN VISION

Our objective is to provide our customers with high quality, high performance vices, clamps and associated handtools which offer superior value for money. It is our firm belief that our customers seek from us a service which goes beyond the product itself. We will anticipate correctly, future market requirements and provide competitive service to customers.

Our task is to identify the critical elements of our business partnerships and to develop clamping, holding, gripping, fastening and associated handtools which provide both partners with the highest possible level of long term satisfaction. We will achieve this objective providing we maintain a commitment to excellence throughout all aspects of our business. Consequently, we place substantial emphasis on the calibre of our employees for it is they who ultimately shape our company and give it the essential quality necessary for success. We will strive to provide our employees with a challenging and rewarding environment which will extend their capabilities and provide excellent levels of job satisfaction.

Our success in achieving these objectives will be measured by our ability to generate levels of profit that reward investors, sustain long term growth, provide competitive rewards for employees, and benefit the communities in which they live and work.



MISSION STATEMENT



To develop, manufacture and market premium quality vices, clamps, and associated hand tools, providing high level of customer satisfaction, rewarding and challenging workplace for our employees and to achieve sustained profitable growth through dedication to service, quality, innovation and continual improvement.

Gobal Subramaniam, Managing Director

The “Dawn” History - Quality Builds Reputation and Reputation Governs Progress

“Once an Interstate visitor walked into the offices of the Dawn Manufacturing Plant, and stated that it had not been necessary for him to make any enquiries in order to locate Dawn, he merely followed the red line which reached unbroken from Northern Queensland to Melbourne. “Dawn” products are finished in a distinctive red paint, and the remark made was no fanciful exaggeration for in almost every factory and workshop in Australia, one or more units of “Dawn” equipment are in use giving reliable service.

Each of the “Dawn” products has features that show the application of sound engineering practice and indicates a true understanding of requirements. Each product is an added reason for the enviable reputation for reliability that the “Dawn” trade mark stands for. The “Dawn” reputation means exceptional quality, reliability and maximum efficiency, while the trademark can be regarded with definite satisfaction as one that an Australian company is proud to place on every manufactured article delivered from their progressive factory to show that it is Australian ‘from pig iron to paint’ and has nothing to fear from any comparison.”

Dawn commenced operations in the Melbourne suburb of Coburg, Victoria in 1917 under the name of Dawn Manufacturing Co. It was founded by four brothers named Blake, who were all engineers. The first products manufactured were vices.

After the first world war, Dawn grew considerably and was selling its products all over Australia. They were very busy during the depression with each employee working 60-80 hours a week. During the second world war, Dawn was supplying vices and clamps to the Australian Defence Department.

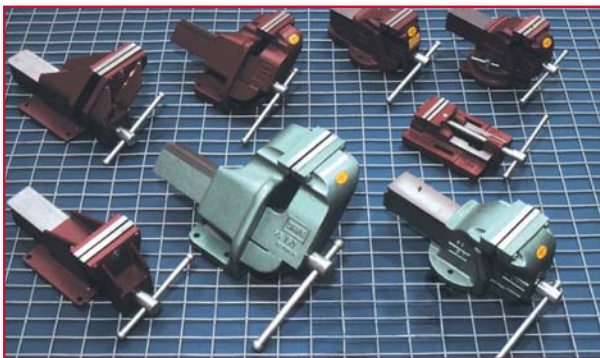
In 1959, the company was taken over by the G.N. Raymond Group. The Dawn catalogue now included a wide range of engineer’s vices, woodworker’s vices, plumber’s vices & equipment, G-clamps, quick-action clamps and toggle clamps. In 1973, Dawn was acquired by Siddons Ramset Limited. In December 1991, Dawn became a unit of the United States owned Stanley Works Pty. Ltd.

In November 1998, Dawn regained its 100% Australian ownership and now as a separate strategic business unit, is in an excellent position to improve and expand its manufacturing and marketing operations in Australia.

Our 90 years experience and investigation into the design and metallurgical practice are embodied in the fabrication of Dawn’s premium quality products. Our customers have given enormous support to our policy over the years to produce Australian products that compare with the world’s best.



Australia's Largest & Widest Range of Gripping & Clamping Products



SAFETY INFORMATION

- Use safety goggles - Misuse of vices and clamps can cause serious injury to eyes, hands and other body parts
- Always use a vice or clamp of proper size and capacity to hold work object
- Maintain your balance and prevent slipping
- Keep tools clean, regularly inspect them for wear and damage, and maintain them
- Do not use damaged tool
- Pull handle towards you, do not push
- Do not use hammer or extension pipe to tighten handles - this will cause handle to bend
- To hold down base of vice, use proper size nuts, bolts and lockwashers in all mounting holes
- Do not unscrew sliding jaw of vice beyond maximum jaw opening
- Do not use clamps with bent, twisted or cracked frame or screw
- Do not use clamps with missing or wornout swivel pads on the screw
- Do not use clamps as a permanent holding device or to support any scaffolding
- Do not use clamps to secure loads on moving vehicles as vibrations can cause them to loosen



GUARANTEE

Dawn products are quality products manufactured to last and are guaranteed against faulty materials and workmanship. This guarantee is subject to fair and proper usage of the products for the designed application and does not extend to altered, abused or badly worn product or fair wear and tear. Hydraulic units for pipe benders are guaranteed for 12 months. To make a claim under the warranty, take the product (with proof of purchase) to the store where you purchased the product. Dawn Tools & Vices Pty Ltd will pay your reasonable, direct expenses of claiming under this warranty – once a warranty has been established. You may submit details and proof of your expense claim to Dawn Tools & Vices Pty Ltd for consideration. This warranty is given by Dawn Tools & Vices Pty Ltd ABN 81 917 725 491, 108 McEwan Road, Heidelberg West, Victoria, 3081. Ph 03 9457 6111, Email: sales@dawntools.com.au This warranty is provided in addition to other rights and remedies you have under law: Our goods come with guarantees which cannot be excluded under the Australian Consumer Law. You are entitled to replacement or refund for a major failure and to compensation for other reasonably foreseeable loss or damage. You are also entitled to have the goods repaired or replaced if the goods fail to be of acceptable quality and the failure does not amount to a major failure.

PRODUCT SPECIFICATIONS

In line with a policy of continuous product improvement, DAWN reserves the right to modify product specifications, and to add and delete products from the range without notice. To make a claim under the warranty, take the product (with proof of purchase) to the store where you purchased the product.



Celebrating 75 years of Manufacturing in Australia



Contents

	Page
Merchandisers	4
Engineer's Vices	5
Engineer's Offset Vices	6
Engineer's Fabricated Vices	6
Forged Steel Vices / Shopvices	8
Pipe Jaws Adaptor	8
Vice Jaws	9
Woodworking Vices	10
Machine Vices / Unigrip Drill Press Vices	11
Super Precision Vices	11
Pipe Vices / Folding Vices Stand	13
Wheel Dressers / Vehicle Stand / Wire Strainer	13
Pipe Bender	14
G Clamps	16
Quick Action Clamps	17
T-Bar (Sash) Clamps / Build - A - Cramp Kit	18
Dual Action Sash Clamps/ Bar Benders	19
Pry Bars	20
Toggle Clamps	23
Dawn/De-Sta-Co Composite Clamps	34
Dawn/De-Sta-Co Powered Clamps	35
Dawn/Carver Clamps	36
Spare Parts	38
General Engineering Division	39
Fan Division	40
Dawn Heritage	41



DAWN MERCHANDISERS



Vices



G Clamps & Quick Action Clamps



Multirange



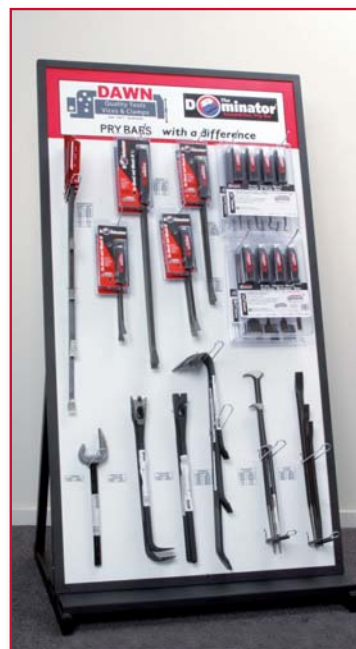
T-shirt



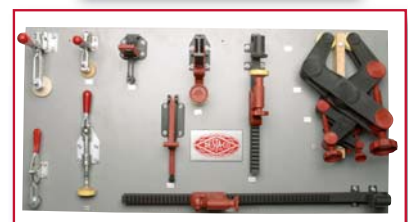
Stubbie Holder & Thermos Mug



T-Bar & Sash Clamps



Pry Bars



Toggle Clamps



VICES

ENGINEERS' VICES - CAST IRON (SEMI-STEEL)

Our most commonly used vices for workshops and garages. DAWN manufacture the most comprehensive range of vices, our 90 years experience in manufacturing vices have gone into design, accuracy, and gripping capacity. DAWN vices are unequalled for quality and value.

Corrosion resistant heavy duty screw and handle. Head of screw and knobs on handle are forged – won't shear off. Fine pitched Acme thread ensure long life and positive action.

Nut is housed in the body and gives long service without wear. Nut is detachable and can be replaced.

Case hardened steel jaws, serrated to provide good grip, removable and replaceable – thus extends life of vice.

Vertical Notch to hold non flat objects

Deflector keeps filings away from moving parts – thus reducing wear.



High strength cast iron body and slide produced by automated foundry ensuring good quality control. Body and slide accurately machined for perfect mating and smooth operation.



ENGINEERS' WITH SWIVEL BASE

Where an operation needs to be approached from several different directions, the robust swivel base enables the vice to be smoothly rotated through 360°, so the work need not be removed from the vice and relocated. Two holding down screws lock the vice firmly in any position. The swivel base assembly can be purchased separately to suit any size of Engineers' vice.

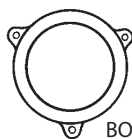
ENGINEERS' SUPER GRADE HEAVY DUTY VICES - UNBREAKABLE

Super grade vices are the strongest in the range of vices we manufacture. It gives positive grip without springing. The vice body and slide are made from spheroidal graphite (S.G.) or ductile iron. This material is similar to cast steel in tensile strength and yet supremely rigid; ideal for heavy-duty applications such as chipping, hammering, automotive and truck servicing. Super grade vices are **GUARANTEED AGAINST BREAKAGE**. Finish – Light Hammettone Green

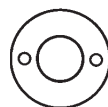
PART NO.	VICE SIZE JAW WIDTH MM	MAX. JAW OPENING MM	TYPE	WT KGS	OVERALL LENGTH (CLOSED) MM	OVERALL WIDTH MM	OVERALL HEIGHT MM
60151	75	85	STANDARD	5.4	250	120	113
60152	100L	115	STD. - LIGHT DUTY	10.5	310	142	150
60153	100	115	STANDARD	16	367	163	177
60154	115	125	STANDARD	18.5	385	168	185
60155	125	145	STANDARD	23	445	170	193
60156	150	175	STANDARD	33.4	497	195	215
60157	200	225	STANDARD	57.8	650	237	275
60163	100	115	STD. C/W SWIVEL BASE	18.8	367	215	205
60165	125	145	STD. C/W SWIVEL BASE	27.5	445	238	225
60166	150	175	STD. C/W SWIVEL BASE	39.9	497	265	252
60167	200	225	STD. C/W SWIVEL BASE	74.6	650	335	336
60189	100	115	STANDARD SUPER GRADE	16	367	163	177
60190	125	145	STANDARD SUPER GRADE	23	445	170	193
60191	150	175	STANDARD SUPER GRADE	33.4	497	195	215

SWIVEL BASE ASSEMBLY

PART NO.	TO SUIT VICE SIZE	WT KGS
65193	100	2.8
65194	125	4.5
65195	150	6.5
65196	200	16.8



BODY



INNER RING

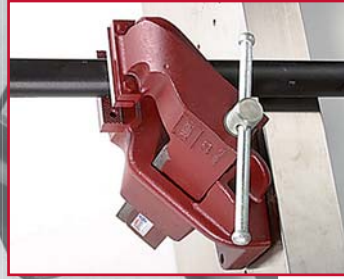


LOCK SCREW (2)



ENGINEERS' OFFSET VICES - CAST

The Dawn Cast Engineers' Offset Vices have all the features and benefits of our Standard Vice. In addition, the Offset feature provides the facility for holding long vertical work with the full width of the jaws without obstruction from the main body of the vice. They are available in both Standard Cast Iron or Super Grade Ductile Iron which are GUARANTEED AGAINST BREAKAGE. The Super Grade Offset Vices are the jewel in the crown of vices produced by Dawn. They provide positive grip without springing and are ideal for heavy-duty applications. This world class vice which is unique to Dawn is simply the best vice a tradesman can own. Buy this vice and in 20 years you will still have the best vice, plus years of reliable service. This is truly a long lasting grand Australian made vice which you can leave for your children and grandchildren.



Offset standard

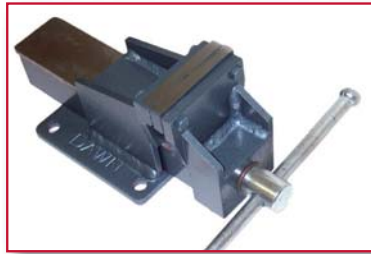
Offset super grade

PART NO.	VICE SIZE JAW WIDTH MM	MAX. JAW OPENING MM	TYPE	WT KGS	OVERALL LENGTH (CLOSED) MM	OVERALL WIDTH MM	OVERALL HEIGHT MM
60178	100	115	OFFSET STANDARD	26.6	418	267	210
60180	125	145	OFFSET STANDARD	39.4	492	294	231
60181	150	175	OFFSET STANDARD	55.5	550	348	265
60195	100	115	OFFSET SUPER GRADE	26.6	418	267	210
60196	125	145	OFFSET SUPER GRADE	39.4	492	294	231
60197	150	175	OFFSET SUPER GRADE	55.5	550	348	265

FABRICATED ENGINEERS' VICES - I RANGE

Manufactured from heavy steel plate, case hardened replaceable steel jaws, replaceable nut, corrosion resistant screw and handle, precision machined bearing surface. Available in standard or offset design. Quality fabricated vices at an affordable price suitable for the price conscious trade users and serious DIY.

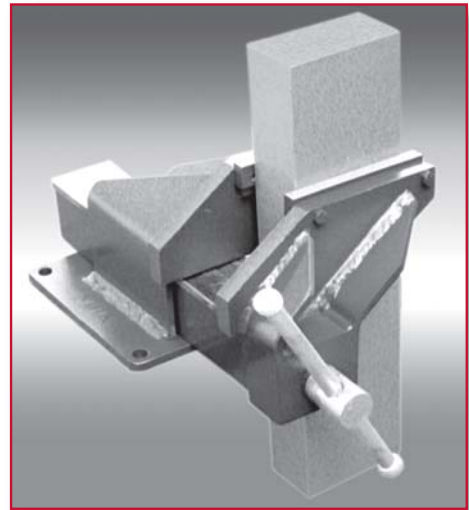
PART NO.	VICE SIZE JAW WIDTH MM	MAX. JAW OPENING MM	TYPE	WT KGS	OVERALL LENGTH (CLOSED) MM	OVERALL WIDTH MM	OVERALL HEIGHT MM
60305	100	115	STANDARD FABRICATED - I RANGE	10	340	150	135
60306	125	145	STANDARD FABRICATED - I RANGE	18	430	180	180
60307	150	175	STANDARD FABRICATED - I RANGE	22	490	200	190
60308	200	200	STANDARD FABRICATED - I RANGE	36	610	200	225
60318	100	115	OFFSET FABRICATED - I RANGE	11	340	185	135
60319	125	125	OFFSET FABRICATED - I RANGE	20	440	240	175
60320	150	175	OFFSET FABRICATED - I RANGE	24	490	280	185
60321	200	225	OFFSET FABRICATED - I RANGE	59	690	375	240



Standard



Offset



The offset advantage

STAINLESS STEEL FABRICATED ENGINEERS' VICES MARINE GRADE 316

- Designed for all heavy duty work in marine, chemical and specialist environments.
- Manufactured from Marine Grade 316, non magnetic stainless steel which is corrosion resistant
- Comes as Standard or with 'Offset advantage' which allows the user to work on long vertical sections with the full width of the jaws without obstruction from the main body of the vice.
- Replaceable case hardened jaws, with a 'V' notch to hold round objects
- Precision machined bearing surface for smooth operation.
- Also available in Left Hand Offset to enable use of all corners of the workbench or to suit left handed operators



NEW

Standard



NEW

Offset

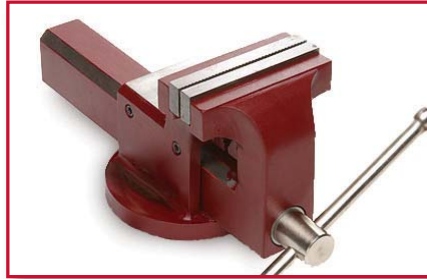
PART NO.	VICE SIZE JAW WIDTH MM	MAX. JAW OPENING MM	TYPE	WT KGS	OVERALL LENGTH (CLOSED) MM	OVERALL WIDTH MM	OVERALL HEIGHT MM
60205-SS	100	115	Standard	10.5	342	150	138
60207-SS	150	175	Standard	22.6	496	200	192
60212-SS	100	115	Offset	11.2	342	188	138
60214 - SS	150	175	Offset	25	496	282	189



DAWN
Quality Tools
Vices & Clamps
Australia

DAWN FORGED STEEL UTILITY VICE WITH ANVIL AND PIPE JAWS

- Manufactured from Forged Steel
- Pipe Vice Jaws
- Large Anvil
- Machined Bearing surfaces
- Corrosion resistant nickel plated handle
- Hardened serrated steel jaws



PART NO.	VICE SIZE JAW WIDTH MM	MAX. JAW OPENING MM	TYPE	CLAMPING FORCE KGS	Pipe Clamping Diam. from (O.D.) MM	WEIGHT KGS	LENGTH x WIDTH x HEIGHT MM
60420	100	100	Standard	1400	9.5 - 50	6	280 x 110 x 130
60421	125	140	Standard	1800	9.5 - 57	11.5	370 x 145 x 155
60422	150	240	Standard	2200	12 - 75	25	505 x 190 x 185
60423	175	240	Standard	2400	12 - 75	26	505 x 190 x 185

Swivel Base Option

The Dawn Forged Steel Utility Vice is also available with a swivel base fitted to the base. This enables an operation to be approached from different directions.



PART NO.	JAW WIDTH (MM)	TYPE
60430	100	Swivel Base
60431	125	Swivel Base
60432	150	Swivel Base
60433	175	Swivel Base

DAWN SHOPVICE

- Manufactured from heavy duty 200 MPa castings for maximum strength.
- Hardened serrated steel jaws.
- 360° Swivel Base.
- Pipe Jaws.
- Large anvil surface.
- Extra sturdy chrome plated handle.
- Colour tell-sell packaging.

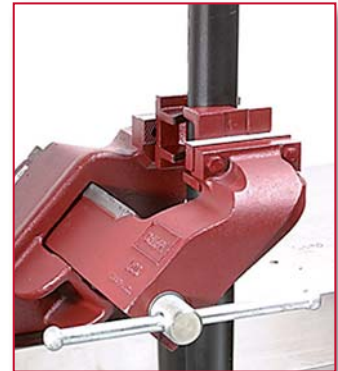


PART NO.	SIZE JAW WIDTH MM	MAX. JAW OPENING MM	PIPE JAW SIZE MM	WEIGHT KGS
60231	100	100	6 - 50	10
60232	125	125	6 - 62	14
60233	150	150	10 - 69	19

PIPE JAWS, ADAPTOR

Converts any Standard or Offset Vice into a Pipe Vice

- Unique Australian design
- Holds pipe or round objects vertically or horizontally
- Heavy duty magnetic backing ensures jaws remain fixed to vice firmly
- Available in both plastic and Super Grade Ductile Iron
- Plastic jaws prevent scoring of workpiece.



Part No.	Description
61010	Pipe Jaws, Adaptor - Plastic (Pair)
61015	Pipe Jaws, Adaptor - S.G. Ductile Iron (Pair)

STEEL JAWS

- Replacement jaws are available for all vices manufactured by Dawn Tools & Vices Pty Ltd.
- Vertical notch will assist with the holding of non flat objects (note: old style jaws do not have a notch)
- Jaws are case hardened for extra strength.
- Serrated to provide excellent grip



Metric Jaws & Bolts (pair)

PART NO.	VICE SIZE JAW WIDTH MM	A MM	B MM	C MM	D - HOLE CENTRES MM	BOLT SIZE MM
65127	75	8	16	77	60	6
65129	100L	10	25	102	75	8
65129	100	10	25	102	75	8
65130	115	15	25	117	90	8
65131	125	15	25	127	100	8
65132	150	15	25	152	125	8
65133	200	15	32	202	175	8



Metric Jaws & Bolts (pair) with vertical & horizontal slots

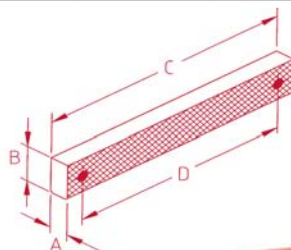
PART NO.	VICE SIZE JAW WIDTH MM	A MM	B MM	C MM	D - HOLE CENTRES MM	BOLT SIZE MM
65134	100	10	25	102	75	8
65135	125	15	25	127	100	8
65136	150	15	25	152	125	8
65137	200	15	32	202	175	8

Imperial Jaws & Countersunk bolts (pair) - old style

PART NO.	VICE SIZE INCHES	A MM	B MM	C MM	D - HOLE CENTRES INCHES	C/ SUNK BOLT SIZE MM
65150	3	8	16	77	1 1/2	6 C/Sunk
65152	4L	10	22	102	2 3/16	6 C/Sunk
65153	4	10	25	102	2 1/2	8 C/Sunk
65154	4 1/2	15	25	117	2 3/4	8 C/Sunk
65155	5	15	25	127	3	8 C/Sunk
65156	6	15	25	152	4 1/8	8 C/Sunk
65157	8	15	32	202	4 1/2	8 C/Sunk

Utility Vice Jaws & Bolts (pair)

PART NO.	VICE SIZE MM	A MM	B MM	C MM	D - HOLE CENTRES	BOLT SIZE
65140	100	11	20	100	70	8
65141	125	13	25	125	90	8
65142	150	13	28	150	110	10
65143	175	13	28	175	110	10



SOFT JAWS

PLASTIC (POLYURETHANE) SOFT JAWS, MAGNETIC

- Easy to use. Simply place over existing jaws.
- Protects work piece from scoring or marking
- Available in standard serrated face or multigrips face for holding a variety of round objects in a variety of angles.
- Magnetic strip holds jaws in place



Standard



Multigrip



Counter Merchandiser

PART NO.	DESCRIPTION
22100	Plastic Soft Jaws, Standard, Magnetic, 100 mm (pair)
22125	Plastic Soft Jaws, Standard, Magnetic, 125 mm (pair)
22150	Plastic Soft Jaws, Standard, Magnetic, 150 mm (pair)
23100	Plastic Multigrip Soft Jaws, Magnetic, 100 mm (pair)
23125	Plastic Multigrip Soft Jaws, Magnetic, 125 mm (pair)
23150	Plastic Multigrip Soft Jaws, Magnetic, 150 mm (pair)

ALUMINIUM SOFT JAWS, MAGNETIC

- Easy to use. Simply place over existing jaws.
- Protects work piece from scoring or marking
- Available in standard smooth face or multigrip face for holding a variety of round objects.
- Magnetic strip holds jaws in place



Standard

Multigrip

PART NO.	DESCRIPTION
60101	Aluminium Soft Jaws, Standard, Magnetic, 100 mm (pair)
60102	Aluminium Soft Jaws, Standard, Magnetic, 125 mm (pair)
60103	Aluminium Soft Jaws, Standard, Magnetic, 150 mm (pair)
60104	Aluminium Multigrip Soft Jaws, Magnetic, 100 mm (pair)
60105	Aluminium Multigrip Soft Jaws, Magnetic, 125 mm (pair)
60106	Aluminium Multigrip Soft Jaws, Magnetic, 150 mm (pair)



WOODWORKING VICES

WOODWORKERS' STANDARD

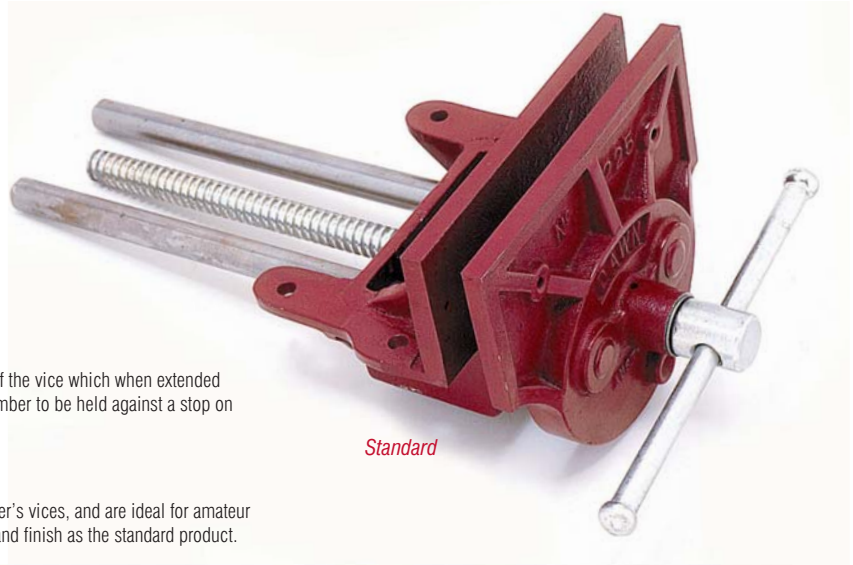
These vices are Australian Made, made from robust castings and are designed with generous jaw area which gives even clamping on the whole depth of the workpiece. Long life is assured with replaceable nut, corrosion resistant screw and handle. The square body seating enables easy fitting to work bench and large diameter slide bars run in accurately machined guide holes to provide a smooth parallel movement. Vice body and sliding jaw have provision for attaching wooden liners to protect the vice, work piece and working tools.

WOODWORKERS' PEG

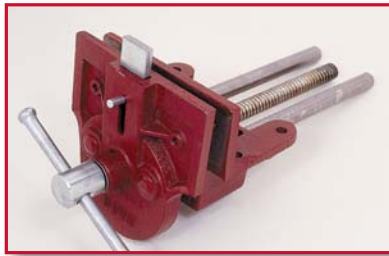
This vice incorporates an adjustable steel peg built in to the front of the vice which when extended protrudes above the top of the bench. This allows long pieces or timber to be held against a stop on the bench top whilst planing, routing, chiselling etc.

HOME CARPENTERS'

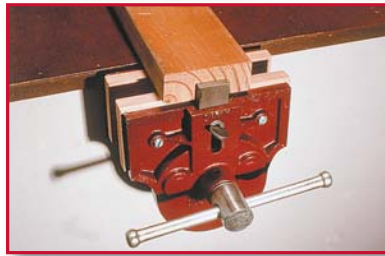
These vices are lighter in construction than the standard woodworker's vices, and are ideal for amateur home carpenters. These vices still boast the same level of quality and finish as the standard product.



Standard



Woodworkers' Peg



Woodworkers' Peg



Home Carpenters'

BENCH SCREW

For those with an interest in making their own carpenter's vice, we have the bench screw, which consists of high quality corrosion resistant screw and handle, cast nut and collar. This product, in conjunction with a sturdy plank can be used to create a variety of vices and clamps any tradesman would be proud to own.

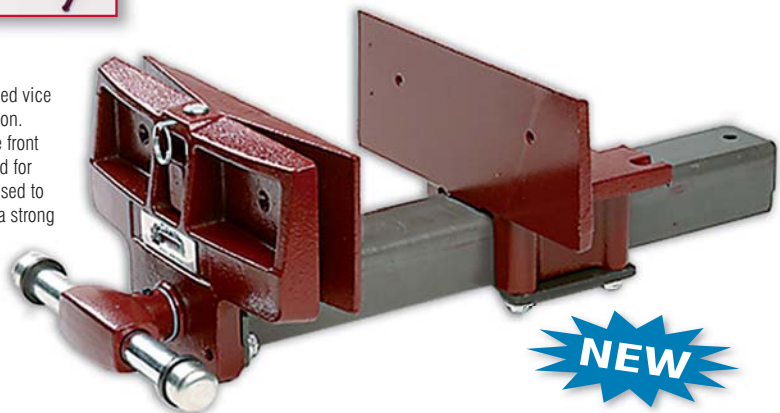
PART NO.	SCREW DIAMETER MM	SCREW LENGTH MM	WT KGS
60261	28.6 (1 1/8")	450	3.5



PART NO.	VICE SIZE JAW WIDTH MM	MAX. JAW OPENING MM	TYPE	WT KGS
60241	175	225	Woodworkers - Standard	7.8
60242	200	225	Woodworkers - Standard	8.4
60243	225	300	Woodworkers - Standard	12.6
60244	250	300	Woodworkers - Standard	13
60247	175	225	Woodworkers - Peg	8
60258	175	175	Home Carpenters	4.5

PIVOT JAW WOODWORKING VICE

Available in **Standard or Quick Action** Design. This unique, patented vice revolutionises the woodworking vice to ensure greater user satisfaction. Front jaw pivots 10° to allow for securing irregular shaped parts. The front jaw can also move up 16mm to act as a full peg or it can be removed for wider clamping applications. The main screw and nut are fully enclosed to protect from glue and sawdust to ensure increased vice life. The ultra strong steel handle come with rubber buffers.



JAW INSERTS

Magnetic jaw inserts are available as optional extra to prevent marring of the workpiece. Strong magnets hold them in place, removing the need to drill & screw. They can slide on and off.



PART NO.	VICE SIZE JAW WIDTH MM	MAX. JAW OPENING MM	TYPE	WT KGS
63245	175	250	Standard	14
63246	250	330	Standard	16
63144	175	250	Quick Action	14
63218	250	330	Quick Action	16
63142	to suit 175		Jaw Insert (pair)	0.75
63143	to suit 250		Jaw Insert (pair)	1



MACHINE (DRILL PRESS) VICES - SUPER GRADE - UNBREAKABLE

These vices are made in Australia and are designed specifically for machine shop or tool room use and have accurately machined slide faces, case hardened replaceable steel serrated jaws, corrosion resistant screw and handle. The bottom of the base is also machined for stable mounting and slots are provided for holding down bolts.

PART NO.	VICE SIZE JAW WIDTH MM	MAX. JAW OPENING MM	JAW HEIGHT MM	WT KGS	BED LENGTH MM	BED WIDTH MM	OVERALL HEIGHT MM
60219	75	60	27	4.6	170	135	64
60220	100	120	37	11.6	240	190	82
60221	125	250	45	21	410	220	89



UNIGRIP DRILL PRESS VICES

The new Dawn Drill Press Vices are versatile and sturdy and features the quality you have come to expect from DAWN. They are available as a standard model or as a 3 way mounting model.

Features and Benefits:

- Manufactured from graded cast iron for reliability
- Precision ground base and vice bed enables smooth lateral movement of the jaw.
- The fixed vice jaw comes with 3 longitudinal and 1 transversal prism which allows firm gripping of round objects both horizontally and vertically.
- A special seat in the jaws facilitates clamping of flat work pieces.
- Spindle (screw) moves inside the hollow hand grip which allows the vice to be tightened at any position on the table thus increasing the application of the vice.
- Elongated clamping slots enable rapid adjustment of the vice on the work table which saves times.



Applications:

Specifically designed for drill stands, bench drills and drill presses. Compact and low profile design makes them suitable for a multitude of metal working and woodworking applications.

PART NO.	JAW WIDTH MM	JAW OPEN MM	JAW DEPTH MM	WT KGS
61560	75	70	30	3.6
61561	100	88	30	4.2
61562	125	125	35	7.9

UNIGRIP 3 WAY DRILL PRESS VICES

These vices provide 3 mounting options via 2 additional contact surfaces machined at right angles, allowing the vice to be used on the end face and side in addition to the base.

PART NO.	JAW WIDTH MM	JAW OPEN MM	JAW DEPTH MM	WT KGS
61565	100	88	30	4.2



Base



Side Face

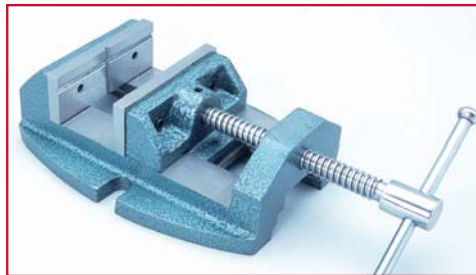


End Face

SUPER PRECISION MILLING & MACHINING VICES

DRILL PRESS VICES - PRECISION

Dawn Super Precision Vices are manufactured to exacting tolerances and are suitable for all high tolerance machining and milling operations. The vice body is made from close grained high tensile cast iron, jaws made from fully hardened and ground steel, bearing surface is accurately ground flat within 30 microns (0.0012"). The 360° swivel base, where applicable, is accurately graduated in one degree increments.



PART NO.	VICE SIZE JAW WIDTH MM	MAX. JAW OPENING MM	JAW HEIGHT MM	WT KGS
61552	75	70	48	2.7
61553	100	100	54	5.5
61554	125	125	54	11

DRILL PRESS VICES - SUPER PRECISION

These vices have a ground vice bed for smooth and consistent jaw movement. With jaws which incorporate V grooves, these vices are highly recommended for general purpose drilling, reaming and tapping operations.



PART NO.	VICE SIZE JAW WIDTH MM	MAX. JAW OPENING MM	JAW HEIGHT MM	WT KGS
61550	80	88	25	4
61551	100	100	32	7.7



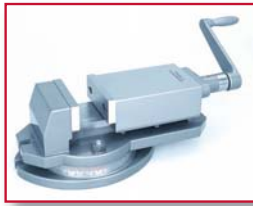
SUPER PRECISION MILLING & MACHINING VICES

MILLING MACHINE VICE

One of the most popular vices used in workshops, shop floors etc. Used in milling operations, this vice also has application in jig boring, grinding, shaping etc. The 360° swivel base allows the vice to be set at any angle along the vertical axis.

The vice is indexed horizontally all through 360°. Vice jaws are precision ground which allows the work piece to be held dead square without use of any packing.

This not only improves the efficiency and life of the jaws, but also helps reduce strain on the vice body. Parallelism of the jaws is within 30 microns (0.0012")



PART NO.	VICE SIZE JAW WIDTH MM	MAX. JAW OPENING MM	JAW HEIGHT MM	WT KGS
61511	100	100	38	17.4
61512	150	150	45	38.8

THREE WAY TILTING VICES

This vice provides for 3 axis setting of the work piece required in special milling, drilling, grinding, shaping and jig boring applications. Vice has 2 angular slides which allow the work piece to be set to any desired angle. Vice has 45° tilting range on both sides and 90° vertical indexing.

The 360° swivel base further allows rotation along the vertical axis.

Use of high tensile grade 10.8 fasteners along with specially designed "hold down" clamp which provide full surface contact, ensures rigid positioning of the vice.



PART NO.	VICE SIZE JAW WIDTH MM	MAX. JAW OPENING MM	JAW HEIGHT MM	WT KGS
61521	75	75	34	10.7
61522	100	100	38	20.5
61523	125	125	45	36
61524	150	150	45	54

SELF CENTRING VICE

This vice finds application in mass production jobs where the work piece is required to be repeatedly placed at the centre for a fixed machine setting. The spindle has opposite threads for quick and accurate centring. Rotation of the handle automatically adjusts the work piece at it's centre. The 360° swivel base allows the vice to be set at any angle along the vertical axis.



PART NO.	VICE SIZE JAW WIDTH MM	MAX. JAW OPENING MM	JAW HEIGHT MM	WT KGS
61540	100	100	38	14.3
61541	125	125	52	26

TOOLMAKERS VICE

These solid one-piece vices with all steel construction are fully hardened and ground. Precision grinding on all surfaces makes them an ideal clamping tool for die making and other tool room applications.

A: Screw Type

The spindle has precisely cut square threads for positive clamping. Gun metal bushes reduce wear and tear.

B: Screwless Type

Vice has V grooved jaws for holding round jobs. Rapid positioning notches allow for quick and efficient setting.

ANGULAR MACHINE VICE

The Angular Machine Vice is ideal for application wherein the work piece requires machining at an angle, which can be easily set through adjustment of the angular slide. The vice is indexed all through vertical 90°. Additionally the fully graduated swivel base allows for full horizontal indexing. The angular slide can be easily set to any desired angle 180° on either side using the "Hold Down" clamps. Graduations on either side of the angular slide add to the convenience for the user.



PART NO.	VICE SIZE JAW WIDTH MM	MAX. JAW OPENING MM	JAW HEIGHT MM	WT KGS
61501	75	75	34	9.4
61502	100	100	38	17
61503	125	125	52	32
61504	150	150	52	38

UNIVERSAL VICES

The most versatile of the machine vices, with all degrees of freedom, allows the work piece to be set at any desired compound angle. The low height of the vice makes it an ideal clamping tool for even the most complicated grinding job.

The vice has a fixed horizontal axis which allows the work piece to be rotated at any angle along it. The swivel base allows the rotation of the work piece along the vertical axis and the third angular slide allows any setting in the 3D plane.



PART NO.	VICE SIZE JAW WIDTH MM	MAX. JAW OPENING MM	JAW HEIGHT MM	WT KGS
61531	100	100	38	13.4

SINE VICES

High precision one piece vice mounted on to precision hinged bottom plate. Fully hardened and ground jaws can be opened or closed without unbolting from the work table surface. Minute angle step built into the vice allows very small angles to be set with ease using standard gauge blocks. The vice has a range of 0-60°.



PART NO.	VICE SIZE JAW WIDTH MM	MAX. JAW OPENING MM	JAW HEIGHT MM	WT KGS
61586	70	75	40	7



PART NO.	TYPE	VICE SIZE JAW WIDTH MM	MAX. JAW OPENING MM	JAW HEIGHT MM	WT KGS
61575	Screw	70	70	40	4.9
61570	Screwless	50	78	25	1.8
61571	Screwless	75	95	35	3.5



PIPE VICE - CHAIN TYPE BOTTOM SCREW - SUPER GRADE - UNBREAKABLE

Its sturdy, compact design makes this a very popular plumber's tool. Equipped with machine cut, heat treated and replaceable jaws, it can be rapidly tightened to provide a very powerful grip which makes the pipe immovable. The high tensile chain goes over the pipe and is fastened into the slot at the side of the two 'V' shaped jaws. This pipe vice is recommended for use with the Dawn Folding Vice Stand. (Part No. 62151M)

PART NO.	TYPE	TAKES PIPE TO DIAM. - O.D. MM	WT KGS
60272	C2	65	1.8
60273	C4	120	4.5
60274	C6	175	7.9



FOLDING VICE STAND

Extremely rigid and durable, this lightweight portable stand is easily set up and taken down, saving operators valuable time and effort. While primarily designed to take the DAWN pipe vice, the large base plate will also accommodate up to a 100mm Engineers' Vice.



PART NO.	DESCRIPTION	WT KGS
62151M	FOLDING VICE STAND	19.0



GRINDING WHEEL DRESSERS

Rugged cast handle with corrugated high quality hardened steel cutters. Well designed to accurately and easily recondition the grinding wheel to its original shape. Spare wheels readily available.



PART NO	TYPE	WT KGS
62204	NO. 0	0.8
62205	NO. 1	1.2

SPARE WHEELS	
PART NO.	TO SUIT
67188	NO. 0
67189	NO. 1
67190	NO. 2

VEHICLE (CAR) STAND

This high quality car stand has a heavy duty S.G. ductile iron base. It is suitable for service stations, garages, panel beaters and car maintenance enthusiasts. The adjusting screw has an Acme thread for strength and quick adjustment. It complies with Australian Standard 2538-1985

PART NO.	SAFE WORKING LOAD	MIN. HEIGHT MM	MAX. HEIGHT MM	DIAM. OF BASE MM	WT. KG
62187	2 TONNE	280	450	227	6.7

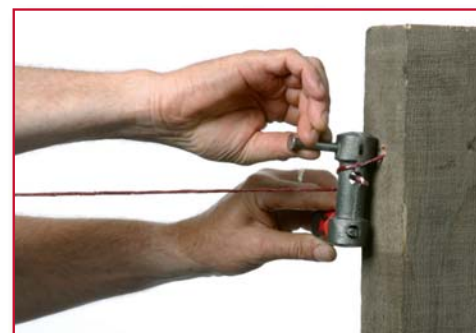
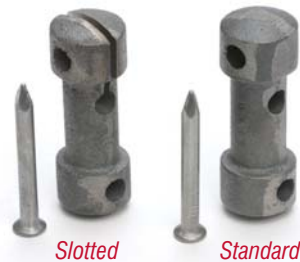
Caution

- Use only in pairs • Use on hard, level surface, preferably concrete • Ensure the stand is positioned under a solid portion of the car
- Do not remove wheels unless necessary • Lower the car slowly onto the stand • Apply car's parking brake & chock unlifted wheels
- Check stability of the stand by rocking the car back and forth • Centre load and apply load vertically on engagement saddle
- Tighten the stand's hand nut firmly at the required height



WIRE STRAINER *Part No. 62209*

An economical and permanent method of tightening wire strand fences, each wire is passed through drilled fences, each wire is passed through drilled end post and threaded through the centre hole of strainer. Slotted wire strainers are designed for existing fences that require the wires tightened. The strainer is then twisted by levering a piece of rod or a screwdriver through one of the outer holes until the wire is tightly wound up and the strainer hard against the post. The steel pin supplied is then inserted through the remaining outer hole and nailed to the post to stop the strainer unwinding and to keep the wire tight.



10 Ton Hydraulic Pipe Bender - With Super Grade Formers 15 To 50mm

- 10 Ton Heavy Duty Hydraulic Unit based on military jack design
- Robust construction with quick bending and release action
- Designed to bend from extra light to extra heavy pipes with excellent results.
- Simple set up and operation produces accurate bend every time.
- Pipes do not require heating and it is portable – thus saving time.
- Concealed pressure relief valve minimises the possibility of damaging working parts
- Comes complete with six formers made from S.G. (Ductile) iron
- Applications – water services, gas services, handrails, gates, framework etc.
- For bending ERW, galvanised, gas, water & steam pipes
- Size of former relates to inside diameter of pipe
- Formers have 36mm diameter hole to take 35mm diameter hydraulic ram

PART NO.	ITEM	WT KG
62168	PIPE BENDER - SET COMPLETE	63.0
67043	HYDRAULIC UNIT AND HANDLE	18.6
67086	FRAME	14.0
67087	PIPE SUPPORT PIN(2)	0.8
67088	PIPE SUPPORT	5.0
67080	15 MM FORMER	2.2
67081	20 MM FORMER	2.4
67082	25 MM FORMER	3.2
67083	32 MM FORMER	4.5
67084	40 MM FORMER	5.1
67085	50 MM FORMER	7.2



Operating Instructions

When fitting the hydraulic unit to the pipe bender frame, ensure that the carry handle on the hydraulic unit is in the upright position (top). The unit has been tested and is filled with OM33 Hydraulic Oil ready to use.

Select size of former required. Fit former to the ram on hydraulic unit. Locate pipe support and pins in the holes on frame bearing the same number as the size of the former selected. If the pins holding the pipe support are located in the wrong holes, the former would possibly get damaged. Care must be taken to see that the pins pass through the top and bottom plates of the frame. The centre of the former should contact the pipe at the centre of the proposed bend.

To make bend

Close release valve on hydraulic unit and operate handle until the ram has travelled sufficient distance to give the desired bend. Owing to the spring reflex of the pipe it is necessary to travel a little more than the actual bend, but with a little practice the operator will soon become proficient in making excellent bends.

To remove bend

Open the release valve partially (approximately 1 turn) on the hydraulic unit and push the ram down. If difficulty is experienced in removing the bend from the former, insert a lever between bend and the former. A small quantity of grease placed on the pipe or the former will also assist.

PIPE SIZE		MINIMUM WALL THICKNESS MM	CENTRE LINE RADIUS	
I.D.	O.D.		MM	RATIO TO O.D.
15	21.3	3.15	80	3.8
20	26.9	3.45	100	3.7
25	33.7	4.35	140	4.2
32	42.4	5.2	190	4.5
40	48.3	4.15	225	4.7
50	60.3	5.15	300	5.0

Pipe Bender Stand (Sold Separately)

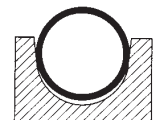
Extremely rigid and durable, this lightweight portable stand is easily set up and taken down, saving operators valuable time and effort. This stand will also accommodate the Dawn pipe vices, and up to a 100mm Engineers' vice.

PART NO.	DESCRIPTION	WT KGS
62151M	FOLDING VICE STAND	19.0

Technical data

“Elliptical” profile formers

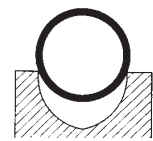
Sizes 20, 25, 32 and 40 mm formers have elliptical profile. The pipe sits close to, but not on, the bottom of the former. This gives good side support for extra light gauge pipes.



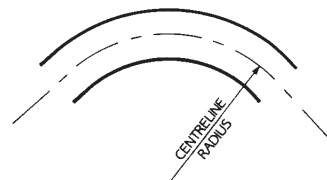
Elliptical

“Cathedral” profile formers

Sizes 15 and 50 mm formers have cathedral profile. The Cathedral profile is a registered design of Dawn. The pipe sits on the entry to the former and will move to the bottom when bending starts. The former squeezes the sides of the pipe, allowing lighter gauge pipes to be bent at tighter radii. The former also supports the pipe through the bending process, giving a more aesthetic rounded appearance.

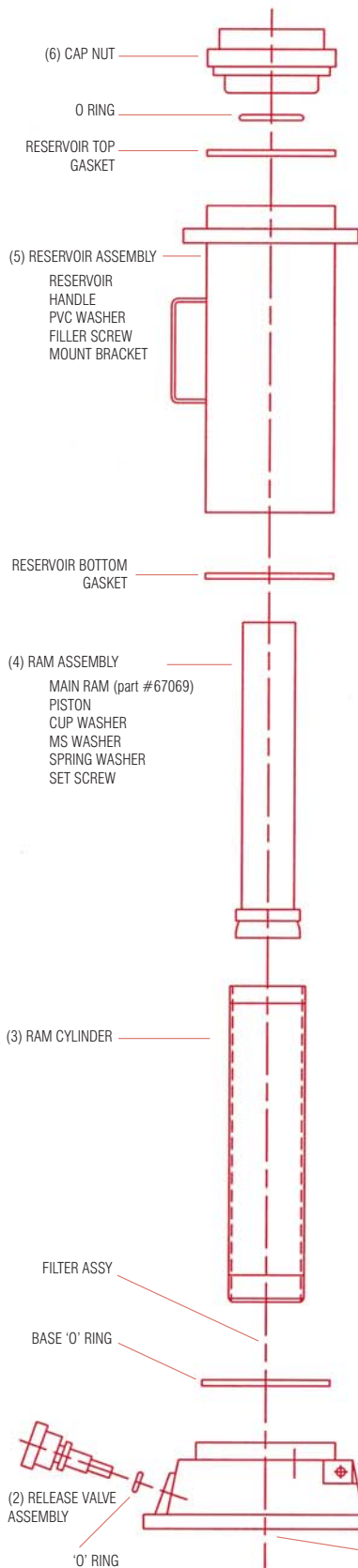


Cathedral



Pipe Bender Stand

HYDRAULIC UNIT (67043) MAINTENANCE INSTRUCTIONS



When fitting hydraulic unit to the pipe bender frame, ensure that the carry handle on the hydraulic unit is in the upright position. The unit has been tested and is filled with OM33 Hydraulic Oil ready to use.

To Operate

- Close release valve firmly
- Pump until desired stroke is reached
- To release pressure open release valve (approx. 1 turn)
- To retract ram to its closed height position, push the ram down by hand. (An extra turn on the release valve will make it easier to depress ram.)

When the unit is not in use or being stored, always ensure the ram is fully depressed to its closed height. (This will prevent any damage to the ram) With proper use and care the Dawn Hydraulic Unit will give you many years of service. If the unit is not frequently used, it should be operated a few times approx. every 3 to 4 months to exercise the seals. Use only OM33 Mineral Hydraulic Oil – DO NOT USE BRAKE FLUID.

Service

Provided the unit is kept clean and the ram is not damaged, it requires no service other than checking that the oil level is maintained. To check oil level, stand the unit upright, unscrew the filler plug screw on the side of the cylinder and the oil should be at the level of the filler hole. However, over a period of time and depending on the workload, the seals will wear. Generally the early sign is oil appearing around the pump piston. This can be seal wear or that the pump gland nut just requires tightening. Tighten the gland nut (9/4) firmly. If oil persists then replace the pump 'O' ring and Teflon backup washer (9/2 & 9/3)

A To replace pump seals

- 1 Close release valve
- 2 Pump ram to its full extension
- 3 Remove pin at bottom of pump link
- 4 Unscrew pump gland nut enough to allow pump handle and pump ram to be removed from pump body. Note: a small amount of oil will run out (the balance of oil is contained in the ram cylinder)
- 5 Replace pump 'O' ring and Teflon backup washer
- 6 Replace ram into pump body and reconnect link
- 7 Tighten gland nut
- 8 Open release valve to allow ram to retract. Unit is now ready to operate

B To replace Check Valve

- Same procedure as per (A) items 1 to 4
- Then unscrew pump body
- Remove check valve and replace (if necessary)
- Re-fit pump body using Lockite on the threads
- Re-fit pump as per (A) items 6,7, & 8

C To replace Ram Cup Washer

- Drain oil from jack
- To drain the oil, pump ram to its full extension. (Have container ready to catch the oil)
- Unscrew and remove release valve and let oil escape through release valve hole, pushing ram down gently to ensure all oil is drained

- Unscrew cap nut and remove
- Pull ram from cylinder being careful not damage the ram
- Replace cup washer. Re-fit ram to cylinder and re-assemble, checking reservoir seals and cup nut 'O' ring are satisfactory (replace if necessary)
- Re-fill oil and test

D Release Valve

- To replace 'O' ring lay jack on its side
- Unscrew release valve and replace 'O' ring
- Re-fit valve to base

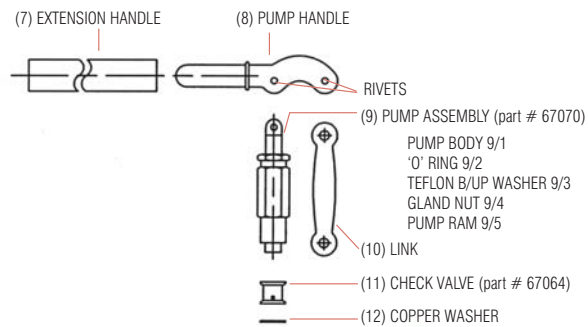
The above service instructions enable you to replace any of the seals as shown in the exploded assembly drawing.

You can just replace the appropriate seals causing the problem, but it is prudent to replace all seals and components whilst you have the unit down for service so ensuring trouble-free operation in the future.

Seal Kits which contain all the seals and components, excluding the pump check valve, are supplied as a kit. (part number 67068)

TROUBLESHOOTING GUIDE

Fault:	Remedy:
Unit fails to operate.	Check release valve is closed
Ram not holding load.	Check release valve Fouled check valve (remove and clean or replace) Ram piston faulty.
Ram not fully extending.	Oil low.
Ram not returning or jammed	Release valve not open. Fouled check valve (remove and clean or replace) Ram may be damaged. Re-align unit in frame.



'G'- CLAMPS - SUPER GRADE - UNBREAKABLE

DAWN G-Clamps are cast in ductile iron and are unbreakable. They have heavy ribbed frame for strength and durability. This popular type has high quality zinc plated Whitworth threaded screw with swivel button. The swivel button enables the user to apply pressure evenly on angular workpieces. For metal, woodworking and general use.

PART NO	SIZE - JAW OPENING MM	TYPE	THROAT DEPTH MM	WT KGS	FRAME PROOF LOAD KGS
61152	75	SUPER-GRADE	45	0.6	500
61153	100	SUPER-GRADE	50	1.0	750
61155	150	SUPER-GRADE	70	2.0	1100
61156	200	SUPER-GRADE	85	3.3	1300
61157	250	SUPER-GRADE	95	3.9	1750
61158	300	SUPER-GRADE	100	4.3	2100



'G'- CLAMPS - FORGED - ULTRA STRONG

Ultra strong drop forged steel clamp whose slim section permits use in confined spaces. Ideally suited to heavy engineering, including metal fabrication and welding. Painted Blue.

PART NO	SIZE - JAW OPENING MM	TYPE	THROAT DEPTH MM	WT KGS	FRAME PROOF LOAD KGS
61166	75	FORGED STEEL	50	0.5	2050
61167	100	FORGED STEEL	60	0.7	2350
61168	150	FORGED STEEL	75	1.6	3600
61169	200	FORGED STEEL	85	3.4	5750



ONE HANDED 'G' CLAMPS

This unique one Hand G Clamp Leaves one hand free to hold items being clamped whilst the other operates the clamp by means of a **special knurled nut**.

- 'I' beam frame section ensures maximum frame loading and resistance to twisting
- Two start rolled thread for quick clamping
- Square frame for maximum clamp usage

PART NO.	SIZE - JAW OPENING MM	THROAT DEPTH MM	WT KGS
DW73040	100	65	1.0
DW73060	150	80	1.5
DW73080	200	90	2.2



STAINLESS STEEL 'G' CLAMPS - 316 MARINE GRADE

- Made from Marine Grade 316 Stainless Steel
- Corrosion Resistant and Non Magnetic
- High quality Whitworth thread
- Swivel pad applies pressure evenly on angular work pieces
- Ideal in marine and specialist chemical environments

PART NO	SIZE - JAW OPENING	TYPE	THROAT DEPTH	WT KGS
61152-CSS	75	Cast	45	0.6
61152-FSS	75	Fabricated	45	0.5
61153-CSS	100	Cast	50	1.0
61153-FSS	100	Fabricated	50	0.9
61155-CSS	150	Cast	70	2.0
61155-FSS	150	Fabricated	70	1.9



Fabricated



Cast

DAWN QUICK ACTING CLAMPS

Innovative and Ergonomic Design for a wide range of Metalworking and Woodworking Applications

DAWN Quick Action Clamps

- Heavy ribbed malleable cast jaws with plastic caps to protect work surfaces.
- Acme threaded, galvanised screw for corrosion resistance.
- Swivel pad to allow for uneven surfaces.
- Galvanised steel bar serrated on 3 edges for maximum grip and slip proof.
- Large plastic handle ergonomically designed for maximum comfort and increased clamping force.
- Clamping pressure up to **5000N**.
- Optional Tommy Bar Handle for extra leverage and high temperature applications.

Quick Action Clamps

PART NO. with Plastic handle	PART NO. with Tommy bar handle	JAW OPENING (SIZE) MM	THROAT DEPTH MM	BAR MM	WT KGS
61173	61173-T	150	80	25 x 6	0.8
61174	61174-T	200	100	30 x 8	1.3
61175	61175-T	250	120	30 x 8	1.5
61176	61176-T	300	120	30 x 8	1.6
61177	61177-T	400	120	30 x 8	1.8
61178	61178-T	500	120	30 x 8	2.0
61179	61179-T	600	120	30 x 8	2.2
61180	61180-T	800	120	30 x 8	2.6
61181	61181-T	1000	120	30 x 8	2.9
61182	61182-T	1250	120	30 x 8	3.4
61183	61183-T	1500	120	30 x 8	3.9
61184	61184-T	2000	120	30 x 8	4.9



Quick action clamp with Plastic Handle

DAWN All Steel General Purpose Metal Work Clamps

- Hardened and heat treated steel bar, zinc plated.
- Tested for strength and will exert **7000N** pressure.
- Acme threaded black oxide spindle with T-handle.
- Swivel pad to allow for uneven surfaces.
- General welding and engineering applications.

All Steel General Purpose Metal Work Clamps

PART NO. Plastic handle	JAW OPENING (SIZE) MM	THROAT DEPTH MM	BAR MM	WT KGS
43113	160	80	16 x 7.5	0.5
43114	200	100	19.5 x 9.5	0.9
43115	250	120	22 x 10.5	1.3
43116	300	140	25 x 12	1.6
43117	400	120	25 x 12	1.9
43118	500	120	25 x 12	2.2
43119	600	120	25 x 12	2.4
43120	800	120	27 x 13	3.3
43121	1000	120	27 x 13	3.8
43122	1250	120	27 x 13	4.4
43123	1500	120	27 x 13	5.0



Quick action clamp with Tommy Bar Handle

DAWN All Steel Fitter's Clamps

- Strong, zinc plated, hardened and spring tempered steel bar. • Tested for strength and will exert **12000N** pressure. • Acme threaded black oxide spindle with T-handle. • Hexagonal spindle end allows for additional clamping force with torque wrench. • One piece hardened swivel pad for smooth pivoting to 35°. • Suited for medium duty welding and engineering.

All Steel Fitter's Clamps

PART NO. Plastic handle	JAW OPENING (SIZE) MM	THROAT DEPTH MM	BAR MM	WT KGS
43224	250	120	30 x 15	2.8
43225	300	140	30 x 15	3.1
43226	500	140	30 x 15	3.7
43227	800	140	30 x 15	4.7
43228	1000	120	30 x 15	5.2
43229	1250	120	30 x 15	6.0



Fitter's Clamp

DAWN All Steel Fitter's Clamps - Heavy Duty

- Extremely strong, zinc plated, hardened and spring tempered steel bar. • Severely tested for strength and will exert **22000N** pressure. • Acme threaded black oxide spindle with T-handle. • Hexagonal spindle end allows for additional clamping force with torque wrench. • One piece hardened swivel pad for smooth pivoting to 35°. • Suited for heavy duty engineering applications for maximum safety and strength.

All Steel Fitter's Clamps - Heavy Duty

PART NO. Plastic handle	JAW OPENING (SIZE) MM	THROAT DEPTH MM	BAR MM	WT KGS
43330	300	175	40 x 20	5.5
43331	400	175	40 x 20	6.2
43332	500	175	40 x 20	6.7
43333	600	175	40 x 20	7.3
43334	800	175	40 x 20	8.4
43335	1000	175	40 x 20	9.6



Fitters Clamp Heavy Duty

DAWN All Steel Lever Clamps

- Designed for fast, safe and easy operation and will exert high pressure of **7000N**.
- Steel bar, clamping arm and pressure pad are hardened, heat treated and zinc plated.
- Ergonomically designed handle and release lever.
- Wear resistant ratchet prevents self loosening even under vibration.

All Steel Lever Clamps

PART NO. Plastic handle	JAW OPENING (SIZE) MM	THROAT DEPTH MM	BAR MM	WT KGS
43436	200	100	19.5 x 9.5	1.1
43437	300	140	25 x 12	2.5
43438	400	120	25 x 12	2.6
43439	600	120	25 x 12	3.0
43440	800	120	27 x 13	3.1
43441	1000	120	27 x 13	4.4



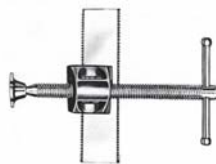
Level Clamp



Edging Attachment

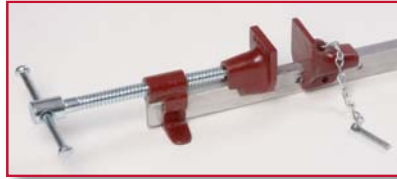
(Part No. 61185)

The optional edging attachment can be used on any sized quick action clamp. For clamping edging strips on straight or curved work where normal clamps cannot be used.



T-BAR (SASH) CRAMPS - SUPER GRADE - UNBREAKABLE JAWS - ALUMINIUM T-BAR

These cramps are Australian Made and are primarily designed for the cramping of large section work pieces for joint gluing and general applications. Used by carpenters, builders and cabinet makers. The jaws and nuts are made from ductile iron and the Acme threaded screw and handle are high quality corrosion resistant steel. The sliding jaw is fastened to T-bar by inserting a steel pin through one of the locating holes along the bar. The T-bar sections are specially heat-treated Aluminium for strength and will resist twisting and distortion. The fixed jaw comes with a drilled feet for fixing to a work bench. The **heavy section** cramp is more robust and is suitable for heavy-duty work.



Heavy

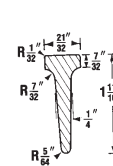


Light

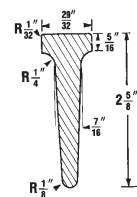


PART NO	SIZE - JAW OPENING MM	TYPE	WT KGS
61213	750	LIGHT SECTION	2.6
61214	1000	LIGHT SECTION	2.8
61215	1250	LIGHT SECTION	3.0
61216	1500	LIGHT SECTION	3.2
61217	1750	LIGHT SECTION	3.4
61218	2000	LIGHT SECTION	3.6
61220	2500	LIGHT SECTION	4.0

PART NO	SIZE - JAW OPENING MM	TYPE	WT KGS
61230	750	HEAVY SECTION	5.0
61231	1000	HEAVY SECTION	5.5
61232	1250	HEAVY SECTION	6.0
61233	1500	HEAVY SECTION	6.5
61234	1750	HEAVY SECTION	7.0
61235	2000	HEAVY SECTION	7.5
61237	2500	HEAVY SECTION	8.5



Light Section



Heavy Section

T-BAR (SASH) CRAMPS - STEEL T-BAR

The T-bar section is made from special cold drawn steel (25mm x 5mm) which offers great resilience to bending. Malleable iron head and slide allow these cramps to be used for extra heavy duty applications. The cramp can be permanently fixed to the workbench. The main screw has rolled Acme thread for smooth movement and is blackened for increased resistance to corrosion. The sliding jaw is fastened to the T-bar by inserting a steel pin.

PART NO.	SIZE - JAW OPENING MM	WT KGS
61615	750	4.0
61616	1050	4.7
61617	1350	4.9
61618	1650	5.2
61611	2000	5.9
61612	2500	6.5



BUILD A CRAMP KIT - ADJUSTABLE, FABRICATED

Extremely versatile and practical tool for the tradesman who needs variable length clamping capability quickly. The cramp can be used with rectangular steel tubes or timber battens with widths ranging from 25mm - 50mm, with minimum height of 50mm. Infinite adjustments are possible by drilling 10mm diameter holes for the sliding jaw pin. Robust construction, extra length and thickness screw - throw it in the wagon, ute or tool box and have the ability to build a cramp to any length at any time. Australian designed and made.

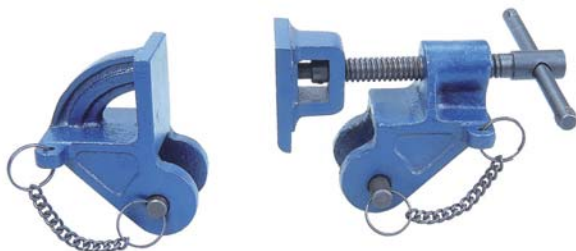
PART NO.	WT KGS
61250F	1.5



BUILD-A-CRAMP KIT

A low cost alternative to the full size T-Bar or Sash bar cramps. A bar cramp of any length can be made using a length of timber batten or rectangular steel tube 25mm thick by 50mm high (minimum). Infinite adjustments are possible by drilling 10mm diameter holes for the sliding jaw pin. The heads are made from malleable iron, the screw, handle and pin are from high quality steel for hard wearing long life.

PART NO.	WT KGS
61630	1.4



DUAL ACTION SASH CLAMPS

The new dual action sash clamps are designed and manufactured in Australia. Unlike other brands in the market, these DAWN clamps come with several unique features which would delight every woodworker.

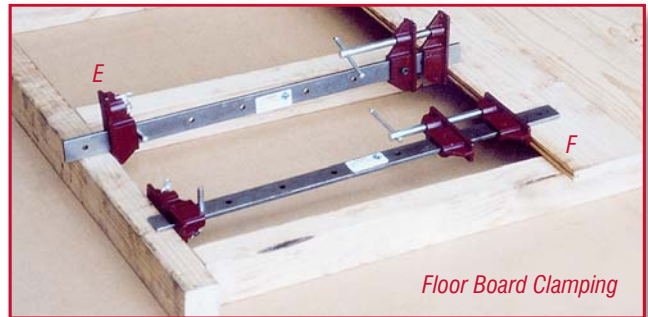
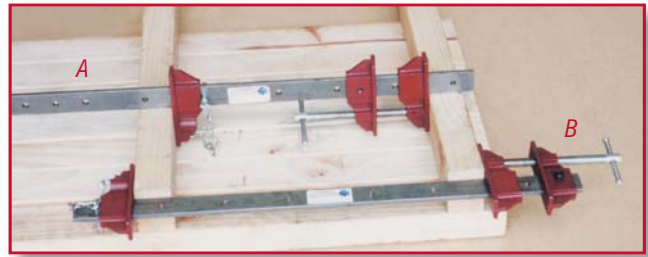
Features and Benefits

- Jaws can be reversed to enable the clamp to be used as a clamp (B) or a spreader (A).
- Extra jaw depth enables clamping (C) or spreading (E) underneath the bar.
- Extra jaw width enables clamping (D) or spreading (F) on the side edge of the jaw.
- Spring loaded ball in securing pin prevents it from accidentally sliding out from the steel bar.
- Jaws are made from unbreakable super tough ductile (S.G.) iron.
- Flat bar manufactured from premium quality steel to ensure longer life

PART NO.	Jaw Opening Size (mm)	Bar Length (mm)
61241	460	610
61242	610	760
61243	760	915
61244	915	1070
61245	1070	1220
61246	1220	1370
61247	1370	1680
61248	1680	1810



Spring loaded ball in pin



Floor Board Clamping

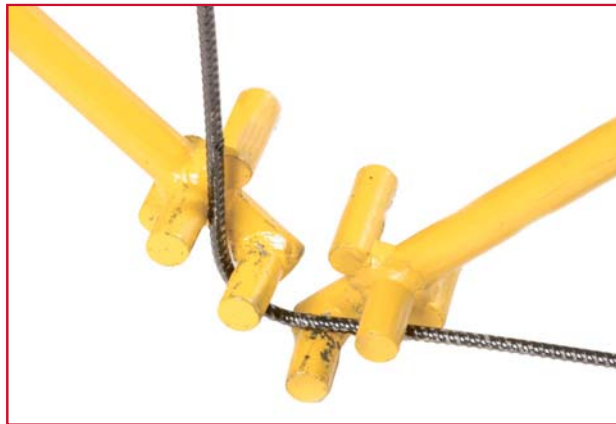
STEEL BAR BENDERS - MANUAL

1. TRENCH MESH BENDERS Part No. 64101

- Australian designed and made for bending reinforcement trench mesh to any angle or profile
- Ideal for 2, 3 or 4 bar reinforcement mesh bending up to 18mm diameter bar
- Sturdy, robust construction
- Simple to Use.

2. REO STEEL BAR BENDERS Part No. 64102

- Australian designed and made for bending reinforcement bars to any angle or shape
- Bends up to 18mm diameter bar
- Sturdy, robust construction
- Simple to Use.



Reo Steel Bar Bender



Trench Mesh Bender



PRY BARS *with a difference*

The DAWN pry bars are available in screwdriver, aligning or rolling head (lady foot) style. They are:

- Forged from the highest quality alloy and carbon steel.
- Full shank heat treated for maximum strength and durability.
- Finished in black oxide to resist corrosion.
- Conform to ANSI and ASTM for steel standards, physical properties and testing.

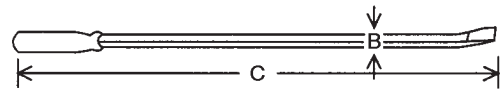
SCREWDRIVER TYPE PRY BARS

For prying and lifting

- The cellulose acetate plastic handle is ergonomically designed to provide a more comfortable and secure grip.
- Available in either straight or curved head style. The curved blade gives extra leverage.



PART NO.	DESCRIPTION (MM)	BODY SIZE (B) (MM)	LENGTH (C) (MM)	WEIGHT (KG)
40108	450 Straight	13	635	0.68
40113	600 Straight	13	785	0.91
40110	177 Curved	10	300	0.15
40111	300 Curved	10	430	0.24
40112	450 Curved	10	635	0.68
40109	600 Curved	13	785	0.91
40123	900 Curved	16	1035	1.6
61350	3 Piece Set (40110, 40111 & 40112)			1.1
61450	3 Piece Set (40112, 40109 & 40123)			3.2

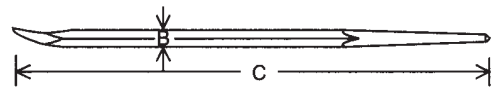


ALIGNING PRY BARS

Designed with line up end for aligning, adjusting and manoeuvring metals or woods. Angled chisel end gives greater leverage when prying.



PART NO.	DESCRIPTION (MM)	BODY SIZE (B) (MM)	LENGTH (C) (MM)	WEIGHT (KG)
40000	355 (14")	13	355	0.3
40001	405 (16")	16	405	0.6
40002	508 (20")	19	508	1.0
75004	760 (30")	22	760	2.3

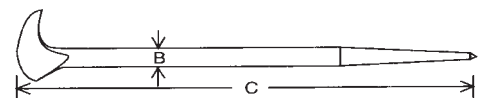


ROLLING HEAD (LADY FOOT) PRY BAR

Ideal for accurate positioning work. The unique curved end enables better leverage in small confined areas. The opposite end is designed for aligning work.



PART NO.	DESCRIPTION (MM)	BODY SIZE (B) (MM)	LENGTH (C) (MM)	WEIGHT (KG)
40150	300 (7/16 x 12")	11	300	0.2
40152	400 (9/16 x 16")	14	400	0.5
40154	530 (11/16 x 21")	17	530	0.9
60150	3 Piece Set (40150, 40152, 40154)			1.6



SAFETY: Always wear safety goggles when using Pry Bars





Go ahead and whack it...

DAWN DOMINATOR® PRY BARS Curved Screwdriver Type

Featuring the all-new steel capped end which allows the user to strike the pry bar with a hammer without damaging the head.

- Forged from the highest quality alloy and carbon steel.
- Hardened and tempered the entire length for maximum durability.
- Finished in black oxide to resist corrosion.
- Conform to ANSI and ASTM for steel standards, physical properties and testing.
- The curved blade gives extra leverage.
- Two composite handle is ergonomically designed for comfortable and secure grip.

SAFETY: Always wear safety goggles when using pry bars.

PART NO.	DESCRIPTION	BODY SIZE	O.A.LENGTH	WEIGHT
60137	5-C Dominator	8mm	250mm	0.21kg
40140	7-C Dominator	10mm	305mm	0.32kg
40144	12-C Dominator	10mm	432mm	0.40kg
40146	18-C Dominator	13mm	635mm	0.87kg

Sets

Part No.	Description	Consists of	WEIGHT
61355	3 piece set	40140, 40144 & 40146	1.6kgs



DAWN DOMINATOR® HEAVY DUTY HOOK & PICK SET

- New patented steel capped end allows the user to strike the handle without damaging the head
- Forged from the highest quality carbon steel
- Blade extends throughout handle and is fully heat treated for maximum strength & durability
- Finished in black oxide to resist corrosion
- Two composite handle is ergonomically designed for comfortable and secure grip
- Conform to ANSI and ASTM for steel standards, physical properties and testing

- Hook and removal tool ideal for use in multiple automotive and engineering applications
- Ensures easy removal of 'O' rings, clips, cotter pins, seals, bushes, washers, nuts, springs etc. from tight areas.
- Move wires and hoses in the engine area
- Scratch Awl can be used for aligning small holes, marking/scribing or as a sharp punch.

PART NO.	DESCRIPTION	BODY SIZE	O.A.LENGTH
42000	Dominator Heavy Duty Scratch Awl	6mm Diam.	254mm
42001	Dominator Heavy Duty 90 Degree Hook	6mm Diam.	254mm
42002	Dominator Heavy Duty Curved Hook	6mm Diam.	254mm
42003	Dominator Heavy Duty Complex Hook	6mm Diam.	254mm
60000	4 Piece Dominator Hook & Pick SET		



DOMINATOR® HEAVY DUTY CARBON SCRAPER

- Used for scraping carbon from cylinder heads, pistons and other metal surfaces
- Cleaning gasket material, adhesives and all general scraping in automotive and engineering applications.

PART NO.	DESCRIPTION	BODY SIZE	O.A.LENGTH
42004	Dominator Heavy Duty Carbon Scraper 13 mm	8mm SQ.	254mm
42005	Dominator Heavy Duty Carbon Scraper 19 mm	8mm SQ.	254mm
42006	Dominator Heavy Duty Carbon Scraper 25 mm	8mm SQ.	254mm
42007	Dominator Heavy Duty Carbon Scraper 38 mm	8mm SQ.	254mm
60001	4 Piece Dominator Carbon Scraper SET		



DAWN WRECKING BARS, RIPPING CHISELS & TWEAKERS

All the above items are:

- Forged from the highest quality carbon steel • Full shank heat treated for maximum strength & durability
- Finished in black oxide to resist corrosion • Conform to ANSI and ASTM for steel standards, physical properties and testing

RIPPING CHISELS

- Are available as single ended or double ended with bevelled nail slots.
- Comes with extra wide claw and cutting edge.
- Used for lifting, prying, removing nails.



PART NO.	DESCRIPTION	BODY SIZE	O.A.LENGTH	WEIGHT
41200	Ripping Chisel Single End	19 mm	450 mm	1.1 kg
41201	Ripping Chisel Double End	19 mm	450 mm	1.1 kg

WRECKING BARS - GOOSENECK

- Gooseneck end has a wide claw for prying & removing nails.
- Chisel end for lifting and prying.
- Ideal for opening boxes.



PART NO.	DESCRIPTION	BODY SIZE	O.A.LENGTH	WEIGHT
41000	Wrecking Bar, Gooseneck, 300 mm	13 mm	300 mm	0.4 kg
41001	Wrecking Bar, Gooseneck, 450 mm	16 mm	450 mm	0.9 kg
41002	Wrecking Bar, Gooseneck, 600 mm	19 mm	600 mm	1.5 kg
41003	Wrecking Bar, Gooseneck, 750 mm	19 mm	750 mm	1.8 kg
41004	Wrecking Bar, Gooseneck, 900 mm	19 mm	900 mm	2.1 kg

TWEAKER

- This Unique multi-purpose tool is the "best friend" of carpenters, framers, roofers, electricians, plumbers, concrete and demolition workers
- Ideal for tweaking lumber, adjusting studs, joist or rafter positions, pulling nails, wedging, stripping or can be used as a powerful wrecking bar.



PART NO.	DESCRIPTION	BODY SIZE	O.A.LENGTH	WEIGHT
41500	Tweaker	19 mm	368 mm	1.0 kg



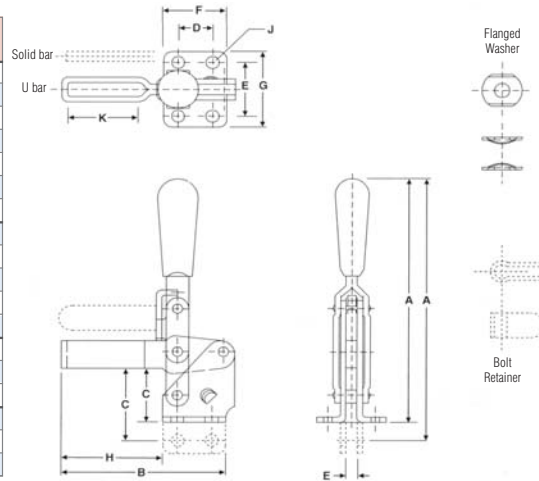
DAWN TOGGLE CLAMPS

Toggle clamps are used for repetitive processes where a workpiece has to be held positively while manufacturing operations such as welding, drilling, tapping, milling etc are performed on it. Removal and insertion of parts is done quickly and easily. A single push or pull action on the handle holds or releases the work component instantaneously. Toggle clamps lock automatically and hold firmly, thus reducing operator fatigue. The pivot points are carefully calculated to yield maximum clamping pressure while achieving positive locking position. Die stamped steel parts are deburred, cleaned and zinc plated to resist corrosion. Heavy duty rivets are used to maintain accuracy and long life.

DAWN VERTICAL HANDLE, HOLDING DOWN ACTION TOGGLE CLAMPS

The 'U' shaped work holding bar allows lateral adjustment of hold-down spindle (refer accessories) along the holding bar or multiple clamping of work pieces. A bolt retainer (refer accessories) can be welded on to the solid holding bar at any angle to compensate for angular contact. 'T' handles are shorter and suitable for restricted space conditions. The handles are fitted with plastic safety grip.

Part No.	Model	Type	Holding Capacity	Weight	A	B	C	D	E	F	G	H	J	K	Spindle Size
61251	SU-107-25	Vertical straight handle, U-bar	400 kg	0.5 kg	206	113	36	32	44	51	62	62	8	37	
61252	SU-107-35		375 kg	0.6 kg	225	138	55	32	44	51	62	87	8	63	
61253	SU-107-50		350 kg	0.7 kg	246	176	75	32	44	51	62	125	8	100	
61700	SU-105-40		280 kg	0.6 kg	195	141	42	32	45	48	65	93	8	61	
61745	SU-107-15		110 kg	0.2 kg	98	70	23	13	27	26	39	43	5	24	M6
61748	SU-107-20	170 kg	0.4 kg	143	91	32	19	35	32	45	56	6.5	33	M8	
61749	SU-107-20L	170 kg	0.5 kg	143	127	32	19	35	32	45	95	6.5	76	M8	
61256	SS-107-25	Vertical straight handle, Solid bar	400 kg	0.5 kg	206	113	36	30	44	51	62	62	8	-	
61257	SS-107-35		375 kg	0.6 kg	225	138	55	30	44	51	62	87	8	-	
61258	SS-107-50		350 kg	0.7 kg	246	176	75	30	44	51	62	125	8	-	
61259	SS-104		545 kg	2.5 kg	345	276	110	50	73	76	100	200	11	-	
61754	SS-107-20L	220 kg	0.5 kg	143	119	32	19	35	32	45	87	6.5	-		
61262	TU-107-25	Vertical T handle, U-bar	400 kg	0.5 kg	153	113	36	32	44	51	62	62	8	37	
61263	TU-107-35		375 kg	0.6 kg	172	138	55	32	44	51	62	87	8	63	
61264	TU-107-50		350 kg	0.7 kg	193	176	75	32	44	51	62	125	8	100	
61267	TS-107-25		400 kg	0.5 kg	153	113	36	32	44	51	62	62	8	37	
61268	TS-107-35	375 kg	0.6 kg	172	138	55	32	44	51	62	87	8	63		
61269	TS-107-50	350 kg	0.7 kg	193	176	75	32	44	51	62	125	8	100		



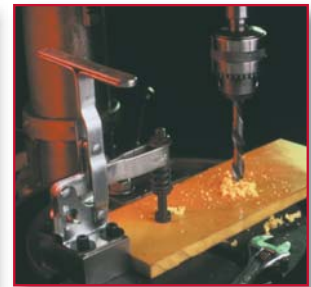
Vertical Handle U Bar



Vertical Handle Solid Bar



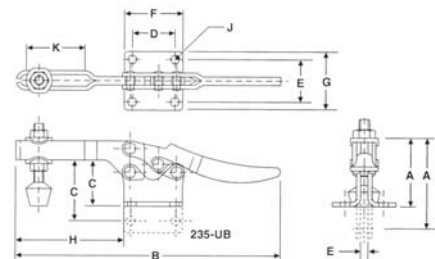
T Handle U Bar



DAWN HORIZONTAL HANDLE, HOLDING DOWN ACTION TOGGLE CLAMPS

The horizontal handle gives increased overhead clearance

Part No.	Model	Bar	Base	Holding Capacity	Weight	A	B	C	D	E	F	G	H	J	K	Spindle Size
61266	TSF-106-20	Solid	Flanged	220 kg	0.3 kg	48	171	35	25	22	38	35	69	6.5	-	M8
61265	TSS-106-20	Solid	Straight	220 kg	0.3 kg	60	171	35	25	6.4	38	-	69	6.5	-	M8
61770	TUF-106-20	U	Flanged	220 kg	0.3 kg	48	171	35	25	22	38	35	69	6.5	36	M8
61771	TUS-106-20	U	Straight	220 kg	0.3 kg	60	171	35	25	6.4	38	-	69	6.5	36	M8
61291	TSF-106-25	Solid	Flanged	340 kg	0.7 kg	64	264	45	41	41	57	57	103	8	-	M10
61292	TSS-106-25	Solid	Straight	340 kg	0.7 kg	86	264	59	41	8	57	-	103	8	-	M10
61293	TUF-106-25	U	Flanged	340 kg	0.7 kg	64	264	45	41	41	57	57	103	8	60	M10
61294	TUS-106-25	U	Straight	340 kg	0.7 kg	86	264	59	41	8	57	-	103	8	60	M10



TSS - 106 - 20



TSF - 106 - 25



TUS - 106 - 25

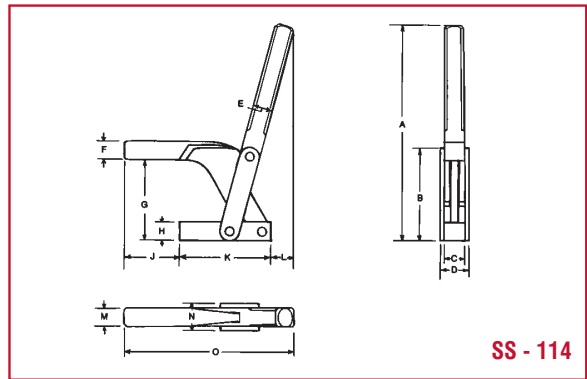
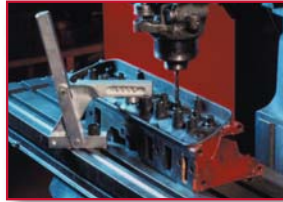


TUF - 106 - 25

DAWN ANGULAR SOLID HANDLE, HORIZONTAL SOLID BAR, HOLDING DOWN ACTION TOGGLE CLAMPS

This clamp is suitable for most rugged production jobs and is designed for maximum opening to simplify jig loading. The holding bar is made from S.G. ductile iron which is unbreakable. The rounded steel handle provides comfort in use.

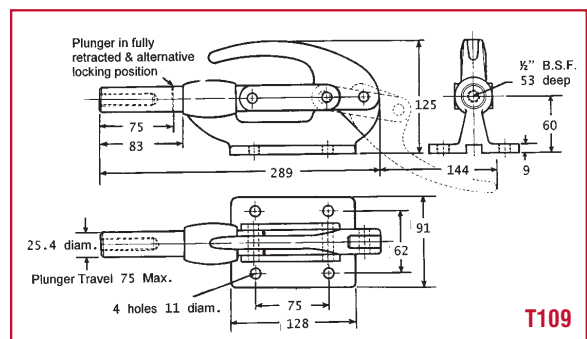
PART NO.	MODEL	HOLDING PRESSURE KG	SIZE (MM) AT														WT KG	DUTY
			A	B	C	D	E	F	G	H	J	K	L	M	N	O		
61272	SS-114-15	320	150	64	12	19	12	12	55	12	37	62.5	16	12	19	116	0.5	HEAVY
61273	SS-114-25	675	191	100	19	28	19	19	75	19	61	87	16	19	28	116	1.1	HEAVY
61274	SS-114-35	945	269	136	25	30	25	25	112	25	90	112	19	25	35	219	2.8	E.HEAVY



DAWN PLUNGER TYPE: STRAIGHT LINE ACTION WITH PUSH/PULL LOCKING TOGGLE CLAMPS

The base and handle are made from S.G. ductile iron castings which is unbreakable. This clamp is designed for either 'push' or 'pull' operation. Clamp locks in both positions. Accessories can be attached to the plunger.

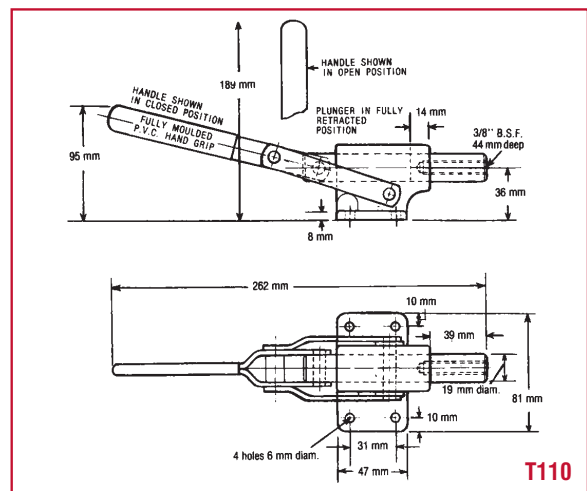
PART NO.	MODEL	PLUNGER STROKE	HOLDING PRESSURE	WT	DUTY
61283	T109	75mm	1800kg	2.5kg	E.HEAVY



DAWN PLUNGER TYPE: STRAIGHT LINE ACTION WITH PUSH LOCKING TOGGLE CLAMPS

This clamp is designed for direct 'push' locking and has a low overall height. Accessories can be attached to the plunger.

PART NO.	MODEL	PLUNGER STROKE	HOLDING PRESSURE	WT	DUTY
61282	T110	39mm	270kg	0.7kg	MEDIUM



DAWN TOGGLE CLAMP ACCESSORIES

- A. Adjustable spindle with fixed pad for 'U' shaped holding bar.
- B. Adjustable spindle with swivel pad for 'U' shaped holding bar.
- C. Weld on bolt retainer & spring loaded fixed pad assembly for attaching to solid holding bars.

PART NO.	MODEL	DESCRIPTION	LENGTH	THREAD
66201	3538FP	Spindle with fixed pad (A)	90	M10
66202	3538SF	Spindle with swivel pad (B)	90	M10
66203	3538SL	Bolt retainer/spring loaded assy (C)	90	M10
66204		Weld on bolt retainer		
66205		Spring		



A

B

C

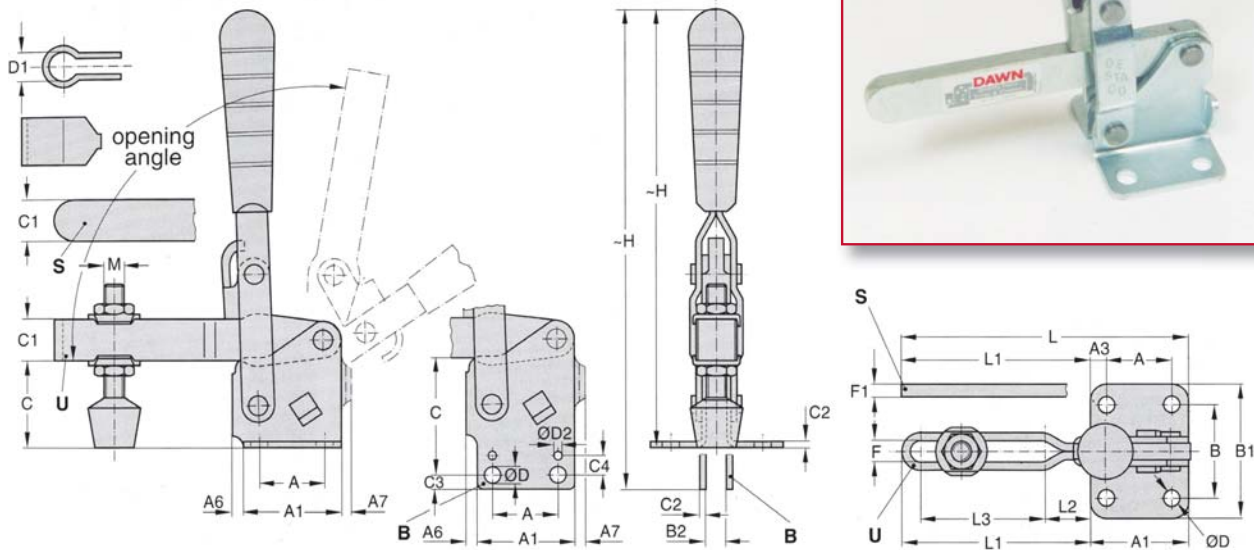


DAWN / DE-STA-CO HOLD DOWN ACTION TOGGLE CLAMPS - VERTICAL HANDLE

All vertical handle models have red ergonomic grips except the T-handle models. Many options are available in most model sizes including straight or flanged bases, solid or U-bars, extra length and stainless steel. Refer to Model Identification Code. Bolt retainers are furnished with solid bar models, flanged washers with U-bar models. Adjustment spindles are provided with models 201 and 202. They can be purchased separately for models 207 (part no. 207 203M), 210 (part no. 240 208M), 247 (part no. 247 208M), 267 (part no. 250 203M),

MODEL IDENTIFICATION CODE

- B** Straight Base - No Flange
- L** Extra Long Bars
- S** Solid Holding Bar
- SS** Stainless Steel
- T** 'T' shaped handle
- U** 'U' shaped Holding Bar



MODEL NO.	A	A1	A3	A7	B	B1	B2	C	C1	C2	C3	ØD	ØD1	F	F1	~H	L	L1	L2	L3	M	HOLDING CAPACITY kgs	WEIGHT kgs
201	16	26	5	-	24	34	-	16	8	2	-	4.4	-	5.5	-	77	51	26	-	18	M4	45	0.1
201-SS	16	26	5	-	24	34	-	16	8	2	-	4.4	-	5.5	-	77	51	26	-	18	M4	56	0.1
201-B	16	26	5	-	-	-	4	22	8	2	5	4.4	-	5.5	-	83	51	26	-	18	M4	45	0.1
202-U	12.5	25.5	6.5	-	27	39	-	23	9.5	3.2	-	5.3	-	6.5	-	98	75	43	13	24	M6	110	0.2
202-UB	12.5	25.5	6.5	-	-	-	6	28	9.5	3.2	6	5.3	-	6.5	-	107	75	43	13	24	M6	110	0.2
202-USS	12.5	25.5	6.5	-	27	39	-	23	9.5	3.2	-	5.3	-	6.5	-	98	75	43	13	24	M6	113	0.2
207-U	19	35	8	8	32	45	-	31.9	16	3.2	-	6.5	-	8.3	-	143	96	55.5	15.5	33	M8	170	0.4
207-UL	19	35	8	8	32	45	-	31.9	16	3.2	-	6.5	-	8.3	-	143	132	95.3	15.5	76.2	M8	170	0.5
207-UB	19	35	8	8	-	-	6	39.8	16	3.2	6.5	6.5	-	8.3	-	153	96	55.5	15.5	33	M8	170	0.4
207-ULB	19	35	8	8	-	-	6	39.8	16	3.2	6.5	6.5	-	8.3	-	153	132	95.3	15.5	76.2	M8	170	0.5
207-USS	19	35	8	8	32	45	-	31.9	16	3.2	-	6.5	-	8.3	-	143	96	55.5	15.5	33	M8	170	0.4
207-S	19	35	8	8	32	45	-	31.9	16	3.2	-	6.5	8.3	-	6	143	130.5	90	-	-	-	200	0.4
207-SB	19	35	8	8	-	-	6	39.8	16	3.2	6.5	6.5	8.3	-	6	153	130.5	90	-	-	-	200	0.4
207-L	19	35	8	8	32	45	-	31.9	16	3.2	-	6.5	-	8.3	-	143	125	87.3	15.5	76.2	-	170	0.5
207-LB	19	35	8	8	-	-	6	39.8	16	3.2	6.5	6.5	8.3	-	6	153	125	87.3	-	-	-	200	0.5
210-U	32	48	8	3	45	65	-	42	20	3.2	-	8.3	-	10.2	-	195	141	92.8	22	61	M10	280	0.6
210-UB	32	48	8	3	-	-	8.2	55.5	20	3.2	10	8.3	-	10.2	-	218	141	92.8	22	61	M10	280	0.6
210-USS	32	48	8	3	45	65	-	42	20	3.2	-	8.3	-	10.2	-	195	141	92.8	22	61	M10	340	0.6
210-S	32	48	8	3	45	65	-	4.2	20	3.2	-	8.3	13	-	8	195	139	91	-	-	-	340	0.6
210-SB	32	48	8	3	-	-	8.2	55.5	20	3.2	10	8.3	13	-	8	218	139	91	-	-	-	340	0.6
247-U	32	51	9.5	3	45	64	-	51	22	8	-	8.5	-	13.5	-	225	178	124	34.5	80	M12	360	1.1
247-UB	32	51	9.5	3	-	-	9.5	57	22	5	9.5	8.5	-	13.5	-	240	178	124	34.5	80	M12	360	1.1
247-S	32	51	9.5	3	45	64	-	51	22	8	-	8.5	14	-	9.5	225	178	124	-	-	-	450	1.1
247-SB	32	51	9.5	3	-	-	9.5	57	22	5	9.5	8.5	14	-	9.5	240	178	124	-	-	-	450	1.1
267-U	51	77	13	3	70	95	-	82	32	8	-	12.2	-	16.6	-	310	230	148	37	98	M16	540	2.2
267-S	51	77	13	3	70	95	-	82	32	8	-	12.2	16.3	-	9.5	343	230	148	-	-	-	540	2.2
267-UB	51	77	13	3	-	-	9.5	102	32	5	13	12.2	-	16.6	-	310	230	148	37	98	M16	540	2.2
267-SB	51	77	13	3	-	-	9.5	102	32	5	13	12.2	16.3	-	9.5	343	230	148	-	-	-	540	2.2

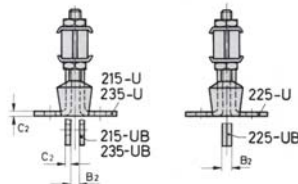
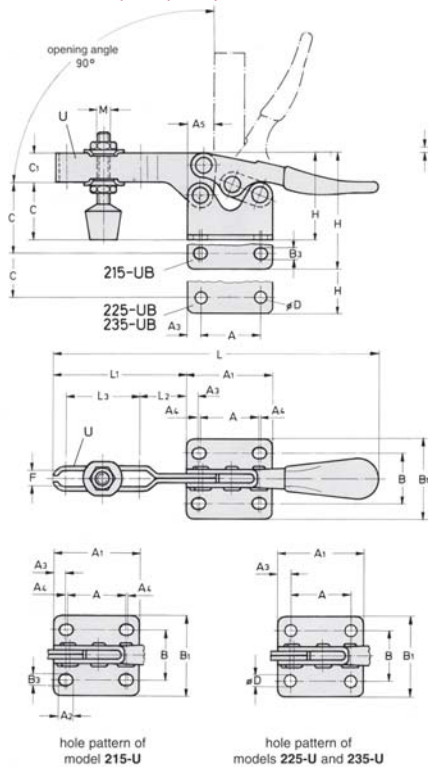
All dimensions in mm



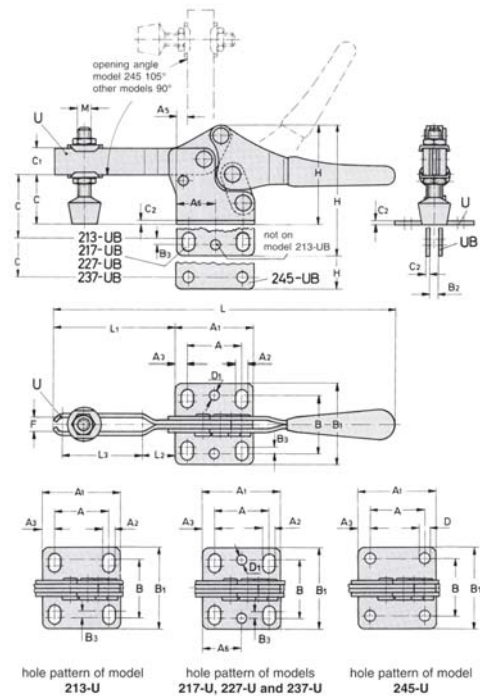
DE-STA-CO HOLD DOWN ACTION TOGGLE CLAMPS - HORIZONTAL HANDLE

Low silhouette series requiring minimum overhead clearance. All models come with bonded neoprene tipped spindle, lock nuts and flanged washers or bolt retainers.

Series 205, 215, 225, 235



Series 213, 217, 227, 237, 245



MODEL NO.	A	A1	A2	A3	A4	A5	A6	B	B1	B2	B3	C	C1	C2	ØD	ØD1	F	H	L	L1	L2	L3	M	HOLDING CAPACITY kg	WEIGHT kg
205-U	11.2	24	-	-	2.4	-	-	15.6	24	3	4.3	8	6.4	1.5	-	-	4.5	17	68	19	-	9.5	M4	25	0.03
205-UB	11.2	24	-	-	2.4	-	-	-	-	3	4.3	8	6.4	3	-	-	4.5	17	68	19	-	9.5	M4	25	0.03
205-UR	11.2	24	-	-	2.4	-	-	9.5	13.5	1.5	4.3	8	6.4	3	-	-	4.5	17	68	19	-	9.5	M4	25	0.03
205-UL	11.2	24	-	-	2.4	-	-	9.5	13.5	1.5	4.3	8	6.4	3	-	-	4.5	17	68	19	-	9.5	M4	25	0.03
205-USS	11.2	24	-	-	2.4	-	-	15.6	24	3	4.3	8	6.4	1.5	-	-	4.5	17	68	19	-	9.5	M4	25	0.03
205-S	11.2	24	-	-	2.4	-	-	15.6	24	3	4.3	9.5	3	1.5	-	-	-	17	71	21	-	-	M4	25	0.03
205-SB	11.2	24	-	-	2.4	-	-	-	-	3	4.3	9.5	3	3	-	-	-	17	71	21	-	-	M4	25	0.03
205-SR	11.2	24	-	-	2.4	-	-	9.5	13.5	1.5	4.3	9.5	3	3	-	-	-	17	71	21	-	-	M4	25	0.03
205-SL	11.2	24	-	-	2.4	-	-	9.5	13.5	1.5	4.3	9.5	3	3	-	-	-	17	71	21	-	-	M4	25	0.03
213-U	13.5	25.4	4.4	6	-	4.7	-	17.6	27	-	0.8	18.5	9.5	1.9	-	-	5.6	35.5	105	35.5	10	21.5	M5	70	0.07
213-UB	13.5	25.4	4.4	6	-	4.7	-	-	-	3.8	0.8	21.2	9.5	1.9	-	-	5.6	44	105	35.5	10	21.5	M5	70	0.07
213-USS	13.5	25.4	4.4	6	-	4.7	-	15.6	24	3	4.3	8	6.4	1.5	-	-	4.5	17	68	19	-	9.5	M4	70	0.07
215-U	25.5	37	5.9	5	0.8	11	-	22	35	4	5.1	25	13	2	-	-	7	38	141	57	20	32	M6	90	0.11
215-UB	25.5	37	5.9	5	0.8	11	-	-	-	4	5.1	30	13	2	-	-	7	50	141	57	20	32	M6	90	0.11
215-S	25.5	37	5.9	5	0.8	11	-	22	35	4	5.1	25	13	2	-	-	-	38	141	57	-	-	-	90	0.11
215-SB	25.5	37	5.9	5	0.8	11	-	-	-	4	5.1	30	13	2	-	-	-	50	141	27	-	-	-	90	0.11
217-U	26	37.4	5.5	5.7	-	6	18.5	28	38.6	-	3	24	13	2.5	-	4.8	6.4	49	164	58	15	38	M6	90	0.08
217-UB	26	37.4	5.5	5.7	-	6	18.5	-	-	5	3	30	13	2.5	-	4.8	6.4	63	164	58	15	38	M6	90	0.18
217-USS	26	37.4	5.5	5.7	-	6	18.5	28	38.6	-	3	24	13	2.5	-	4.8	6.4	49	164	58	15	38	M6	90	0.18
225-U	25.4	38	-	6.5	-	13	-	22.2	35	-	-	35	13	3.2	6.5	-	9	48	171	69	26	36	M8	220	0.26
225-UB	25.4	38	-	6.5	-	13	-	-	-	-	-	35	13	3.2	6.5	-	9	48	171	69	26	36	M8	220	0.26
225-USS	25.4	38	-	6.5	-	13	-	22.2	35	-	-	35	13	3.2	6.5	-	9	48	171	69	26	36	M8	220	0.26
227-U	26	40	6.6	7	-	1	20	31	43.6	-	2.5	34	14	3	-	4.8	8.4	62	188	66	21	38	M8	220	0.30
227-UB	26	40	6.6	7	-	1	20	-	-	6	2.5	38	14	3	-	4.8	8.4	75	188	66	21	38	M8	220	0.30
227-USS	26	40	6.6	7	-	1	20	31	43.6	-	2.5	34	14	3	-	4.8	8.4	62	188	66	21	38	M8	220	0.30
235-U	41.2	57	-	8	-	17	-	41	57	8	-	45	19	4	8.1	-	10.5	64	264	103	35	60	M10	340	0.66
235-UB	41.2	57	-	8	-	17	-	-	-	8	-	59	19	4	8.1	-	10.5	86	264	103	35	60	M10	340	0.66
235-USS	41.2	57	-	8	-	17	-	41	57	8	-	45	19	4	8.1	-	10.5	64	264	103	35	60	M10	340	0.66
237-U	41	57	8.8	8	-	10	28.5	43	58	-	2	44.5	19	4	-	5.8	10.5	81	270	103	24	70	M10	340	0.75
237-UB	41	57	8.8	8	-	10	28.5	-	-	8	2	53.5	19	4	-	5.8	10.5	99	270	103	24	70	M10	340	0.75
237-US	41	57	8.8	8	-	10	28.5	43	58	-	2	44.5	19	4	-	5.8	10.5	81	270	103	24	70	M10	340	0.75
245-U	41.5	67	-	12.5	-	-	-	41.5	67	-	-	57	25	5	8.5	-	13.5	108	312	125	36	77	M12	450	1.4
245-UB	41.5	67	-	12.5	-	-	-	-	-	9.5	-	65	25	5	8.5	-	13.5	128	312	125	36	77	M12	450	1.4

All dimensions in mm

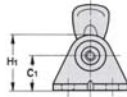
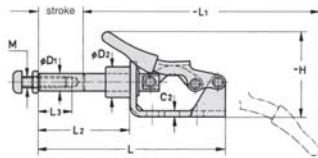


DAWN / DE-STA-CO STRAIGHT LINE CLAMPS - PUSH & PULL ACTIONS

The straight line toggle clamps have a large holding capacity for its size. It is well adapted for use in confined areas because of its small package size and low height. The plunger can be locked in both the extended (open) or retracted (closed) clamping positions and can serve as latch clamps. The plunger comes with a threaded hole. Comes complete with oil resistant ergonomic handle. Additional mounting flanges can be supplied for models 602, 604 and 624 models. Stainless steel models available in 602-SS, 604-SS, 624-SS

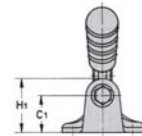
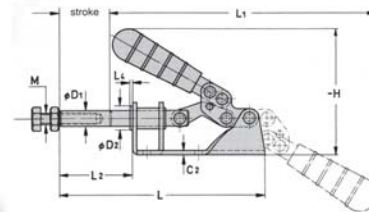
Model	601-M	602-M	603-M	604-MM	605-M	607-M	624-M	606-M	609-M	610-M	620-M	630-M	640-M	650-M
Model s/steel	601-SS	602-SS		604-SS			624-SS							
Holding Force daN	40	90	270	130	130	360	300	200	130	270	270	1100	3000	4500
Stroke mm	16	19	32	38	32	42	67	38	32	41	28	50	101	76
Weight kgs	0.04	0.11	0.32	0.28	0.31	0.63	0.75	0.31	0.4	0.68	0.68	0.9	3.2	2.5

Model 601-M



In stainless steel Model 601-SS

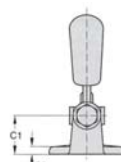
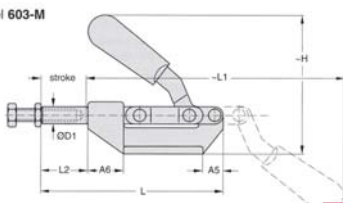
Model 605-M



Model No.	A	A1	A3	B	B1	C1	C2	D	D1	D2	~H	H1	~L	~L1	L2	L3	L4	M
601-M	16	34	8	16	27	12.6	2.2	4.4	6.4	11	31	20	67	84	32.5	12	-	M4
605-M	35	87	7	41.3	55.5	24.5	3.2	5.5	11	19.5	90	37.5	139	195	49	25	2.5	M8

Model 603-M

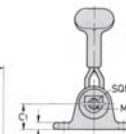
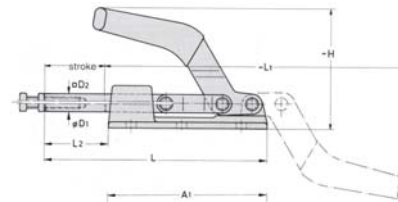
model 603-M



Model 603-M

Models 607 M, 630 M, 640 M

models 607-M, 607-SQM, 630-M and 640-M



Special version available on request

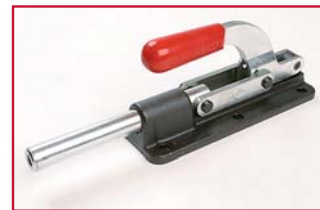
Model 607-SQM with square push rod for accurate positioning. Same dimensions as model 607-M.



Model 607-M



Model 630-M



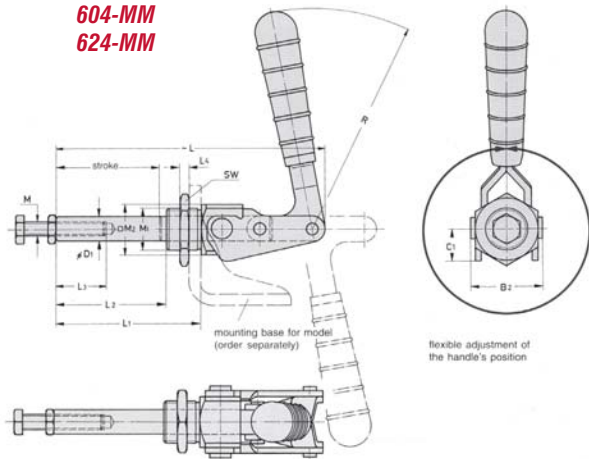
Model 640-M

Model No.	A	A1	A2	A3	~A5	A6	B	B1	C1	C2	ØD	ØD1	D2	L	~L1	L2	L3	~H	M
603-M	36.6	51	-	7	10	24.5	33.2	48	24.5	5	5.5	11	-	121	167	32.5	25.4	88	M 8
607-M	35	107	76.5	15.5	-	41.5	56	17.5	5	7.2	12.7	-	154	212	47	25	85	M 8	
607-SQM	35	107	76.5	15.5	-	41.5	56	17.5	5	7.2	-	12.7	154	212	47	25	85	M 8	
630-M	35	128	76	13	-	41	57	21	5	8.7	16	-	180	234	52	32	75	M 10	
640-M	90.5	216	181	17.5	-	54	76	32	9.5	10.3	22	-	321	393	105	50	110	M 12	



DAWN / DE-STA-CO STRAIGHT LINE CLAMPS - PUSH & PULL ACTIONS

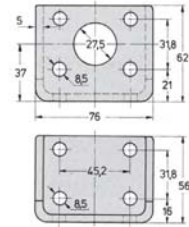
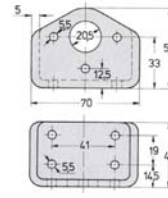
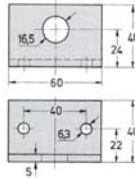
Model 602-MM
604-MM
624-MM



mounting bases
for model 602-MM
part no. 602106-M
(order separately)

for model 604-MM
part no. 604106-M
(order separately)

for model 624-MM
part no. 624106-M
(order separately)



Model No.	B2	C1	ØD1	~L	L1	L2	~L3	L4	M	M1	M2	~R	SW
602-MM	26.5	11	9.5	62	33	20.5	15	6	M 6	M16 x 1.5	19	69	24
604-MM	33.5	11	11.1	110	56	40	25	6	M 8	M20 x 1.5	22	95	30
624-MM	48	20	16	170	92	70	32	6.5	M 10	M27 x 2	32	130	41

In stainless steel model : Models 602-SS, 604-SS, 624-SS



for model 604-MM
part no. 604106-M
(order separately)

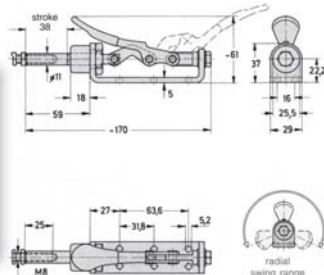
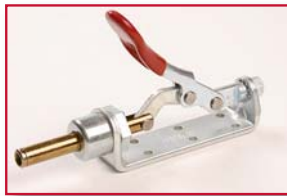


Model 604-MM

Recommended accessories
(order separately adjustment spindle)

Model 606 - M

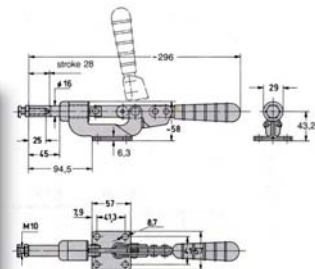
Light duty version



The handle and push rod can be rotated. The push rod does not lock in the open position.

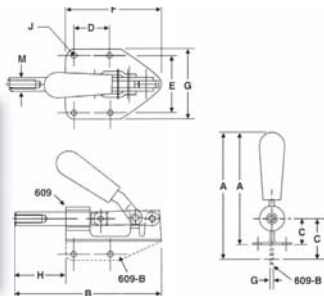
Model 620 - M

Medium duty version



The handle and push rod move in opposite directions. The push rod does not lock in the open position.

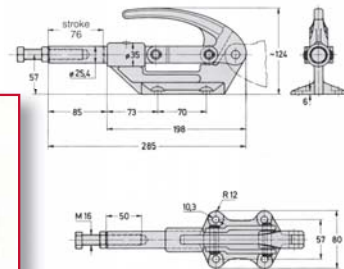
Model 609 - M



A	B	C	D	E	F	G	H	J	M
85.9	139.2	24.6	35.1	41.4	91.4	55.6	47.8	5.1	12.7

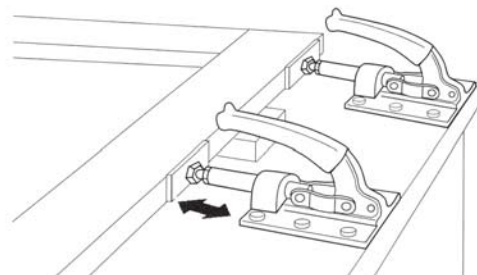
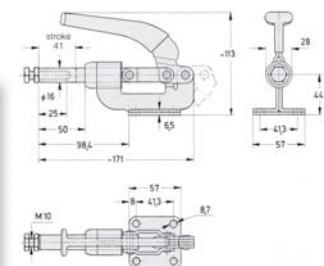
Model 650 - M

Heavy duty version



Model 610 - M

Medium duty version



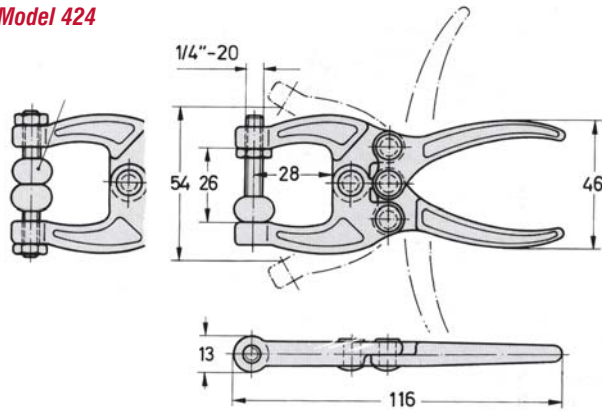
DAWN / DE-STA-CO PLIER CLAMPS - SQUEEZE ACTION

These toggle plier clamps are made of dropped forged steel. All pliers are galvanised and have stainless steel rivets. Most of them have a patented quick release lever allowing the pliers to be opened by hand easily. All models come with 2 vinyl handles. Plier clamps can be used in all industrial and manufacturing areas.

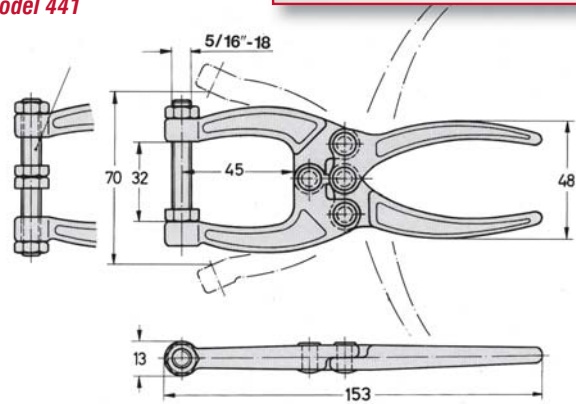


Model	424	441	462	463	482	484
Holding Force daN	90	150	320	320	540	540
Weight kgs	0.2	0.25	0.6	0.65	0.9	1.05

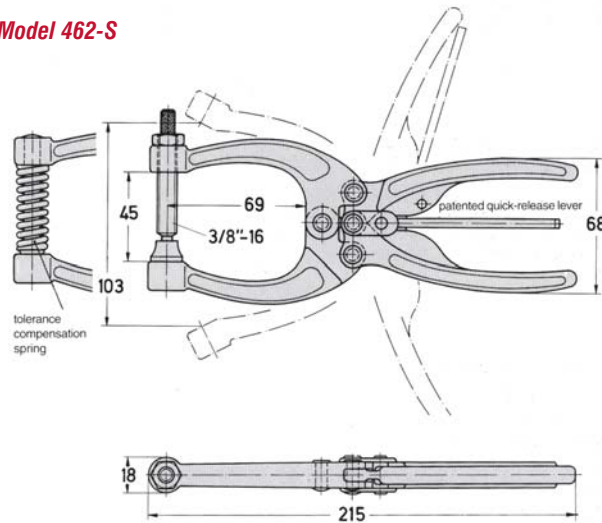
Model 424



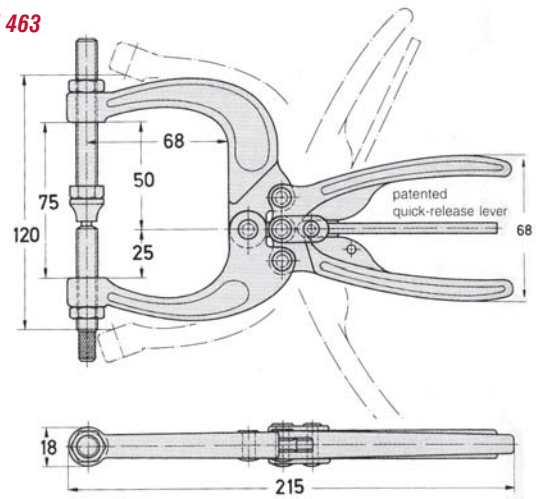
Model 441



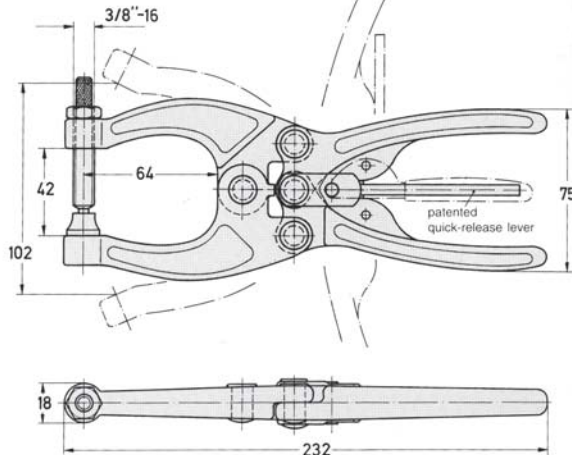
Model 462-S



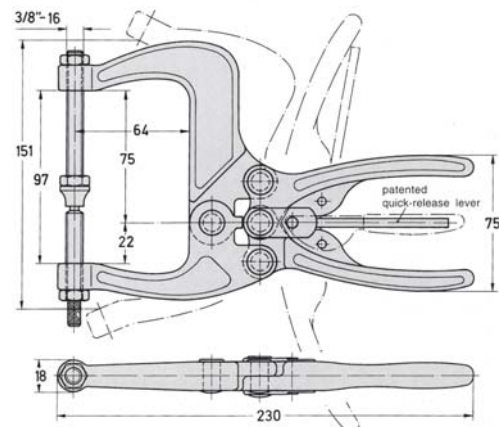
Model 463



Model 482



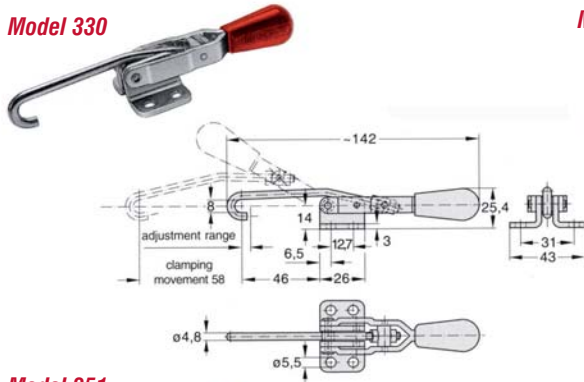
Model 484



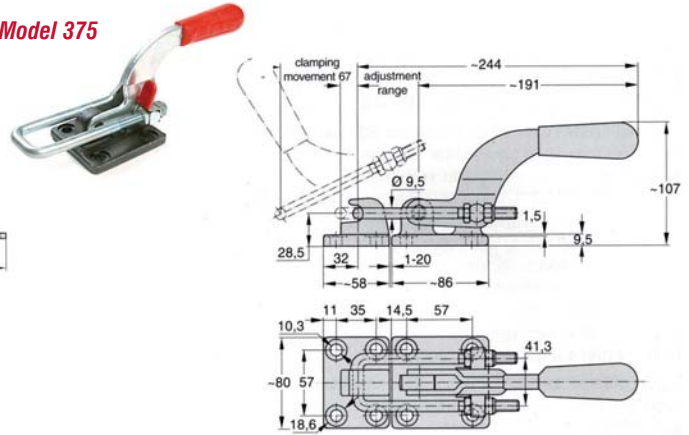
DAWN / DE-STA-CO LATCH CLAMPS - HORIZONTAL AND VERTICAL

Toggle lock latch clamps allow for quick closing/clamping of doors, lids, or access covers onto drums, containers, or other vessels. The heavy duty versions are ideal for holding against heavy forces such as those generated in plastic moulding operations. The stainless steel versions are suitable for use in the chemical and foodstuff industries. The threaded U-bolts permit easy adjustment and provide a positive connection with the supplied latch plate. All models have stainless steel rivets, specially galvanised and are supplied with an oil resistant ergonomic handle.

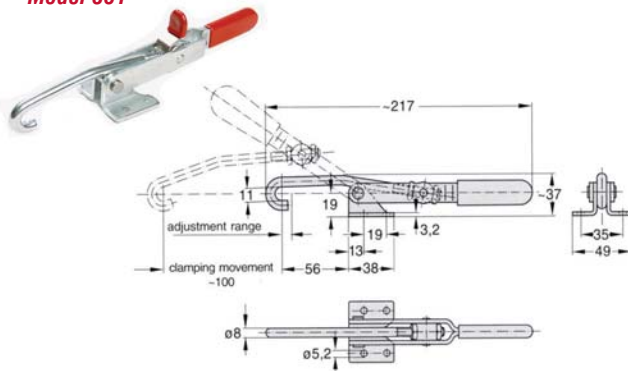
Model 330



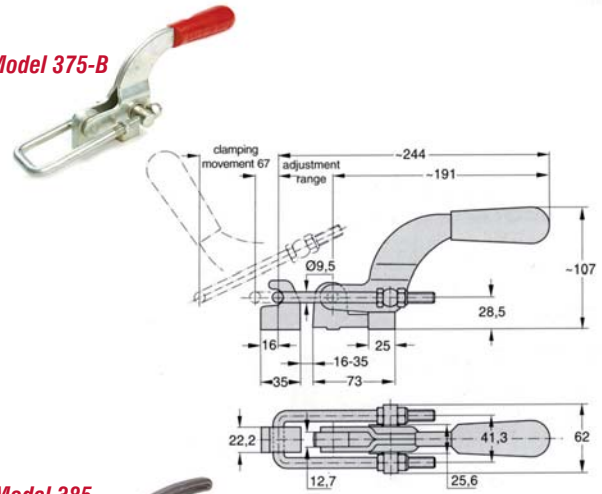
Model 375



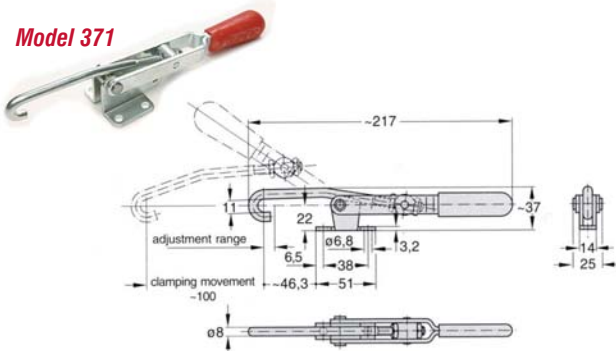
Model 351



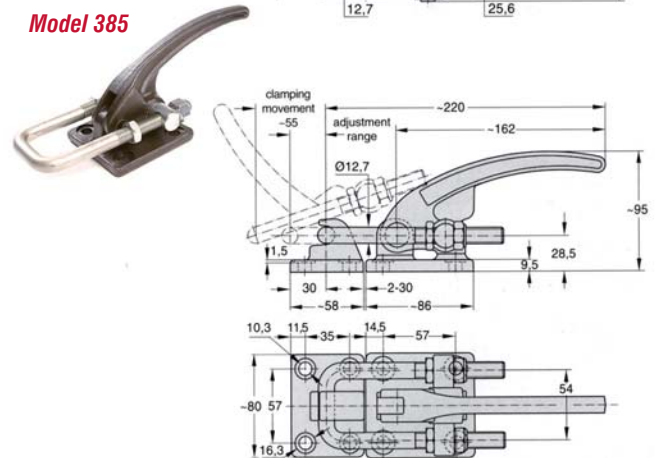
Model 375-B



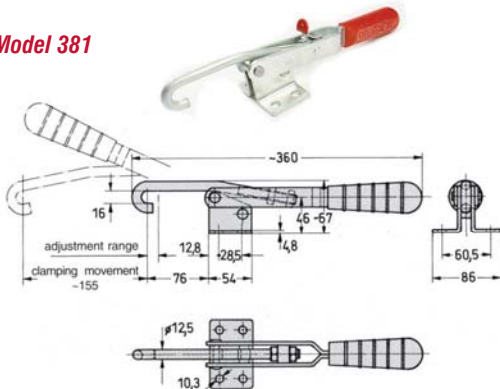
Model 371



Model 385



Model 381



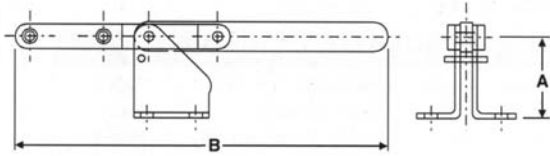
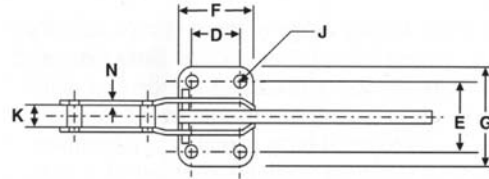
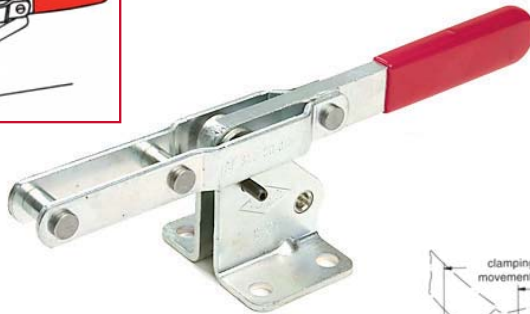
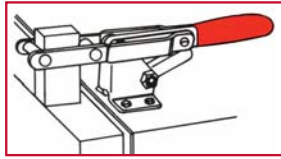
Model	330	351	371	381	375	375-B	385
Model in stainless steel	330-SS	351-SS	371-SS	381-SS			
Holding Force daN	90	220	340	450	1500	1500	2700
Adjustment Range	0 - 6 mm	0 - 10 mm	0 - 25 mm	0 - 19 mm	0 - 19 mm	0 - 19 mm	0 - 28 mm
Weight	0.1 kg	0.3 kg	0.7 kg	1.1 kg	1.7 kg	1.1 kg	1.9 kg



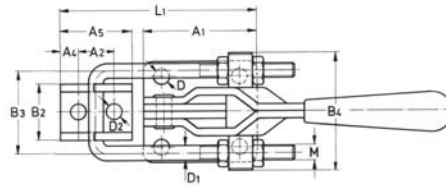
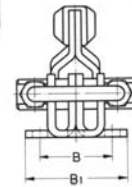
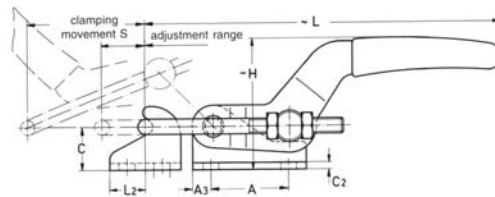
Model 301, 311

Latch type pull action clamps. A fixed stop automatically limits handle travel at various clamping positions once the clamp is installed. Model 301 has 101mm drawing movement (latch travel from fully open to locked position) and Model 311 has 85mm.

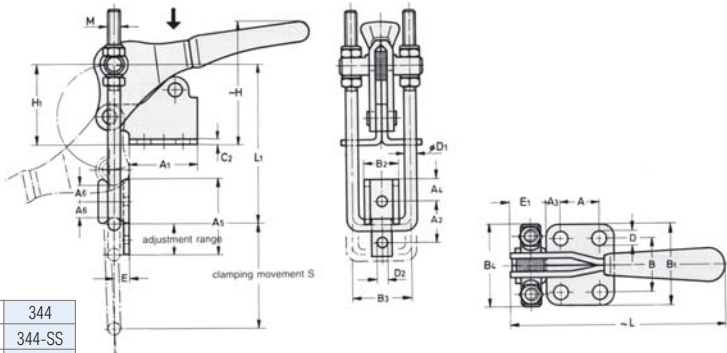
Model	Holding Capacity	Wt kgs	A	B	C	D	E	F	G	J	K	N
301	170 kgs	0.34	41.4	212	47.6	19.1	31.8	35.1	44.5	7.1	14.2	3.3
311	540 kgs	0.54	52.3	245	47.6	31.8	45.2	48.5	64.3	8.4	14.2	3.3



Model 323-M, 331, 341



Model 324, 334, 344



Model	323-M	324	331	334	341	344
Model in stainless steel	323-MSS	324-SS	331-SS	334-SS	341-SS	344-SS
Holding Force daN	160	160	320	320	700	700
Adjustment Range	0 - 10mm	0 - 10mm	0 - 13mm	0 - 15mm	0 - 18mm	0 - 21mm
Weight kgs	0.07	0.1	0.25	0.25	0.75	0.68

Model No.	A	A1	A2	A3	A4	A5	B	B1	B2	B3	B4	C	C2	ØD	ØD1	ØD2	~H	~L* min	~L1* min	L2	M	S
323-M	16	26	10	5	6	20	19	28	13	19	28	12	1.9	4.2	3.4	4.2	29	88	48	9.5	M4	30
331	19	40	14.3	6.5	5.5	26	32	44.5	18	25.5	41	16.5	3.2	6.5	4.5	6.5	50	146	67	13	10-32 UNF	43
341	41.3	60.5	19	9.5	9.5	38	38	54	31	44.5	64	23.4	4	8.5	8	8.5	70	191	105	19	M8	63

Model No.	A	A1	A2	A3	A4	A5	A6	B	B1	B2	B3	B4	C2	ØD	ØD1	ØD2	~E	~E1	~H	H1	L	~L1* min	~L1* max	M	S
324	12.7	25.5	14.3	6.5	7	25.4	4.8	22	35	13.3	20.5	30	2.4	5.2	3.4	4.3	5	12	51	28	83	58	68	M4	38
334	19	33.5	20.5	7.2	10.5	38	7	25.4	40	17.2	28	42	3.2	7.2	6	5.3	8	19	62	39	105	78	93	M6	52
344	32	48	27	7.5	17.5	54	9.5	36.5	53	30	44	61	4	8.8	8	8.8	13	26	84	48	136	104	125	M8	63



DAWN / DE-STA-CO JIG & FIXTURE CLAMPS - CUSTOM FIT YOUR OWN CLAMPING REQUIREMENT

These heavy duty clamps provide the strength and durability required in high production industrial applications such as milling and welding fixtures in the automobile industry, sealing moulds etc. Forged steel components are accurately machined and equipped with hardened bushings and pivot pins. The basic toggle action mechanism can be readily adapted to a wide variety of applications by adding a handle and a suitable hold-down bar. The designer can position the base, clamp arm and handle and weld them to suit the application. The extremely wide angle of operations gives maximum access for loading and unloading of workpieces. Two mounting versions are available: the B series with a swivel mounting base and the LB series with 2 long mounting plates

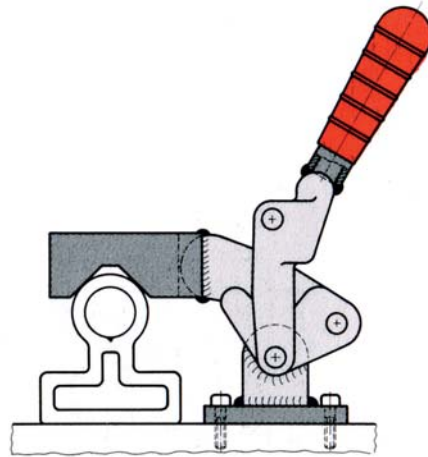
Series - 501, 503, 505, 506, 508



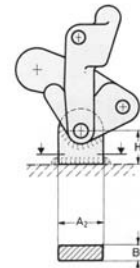
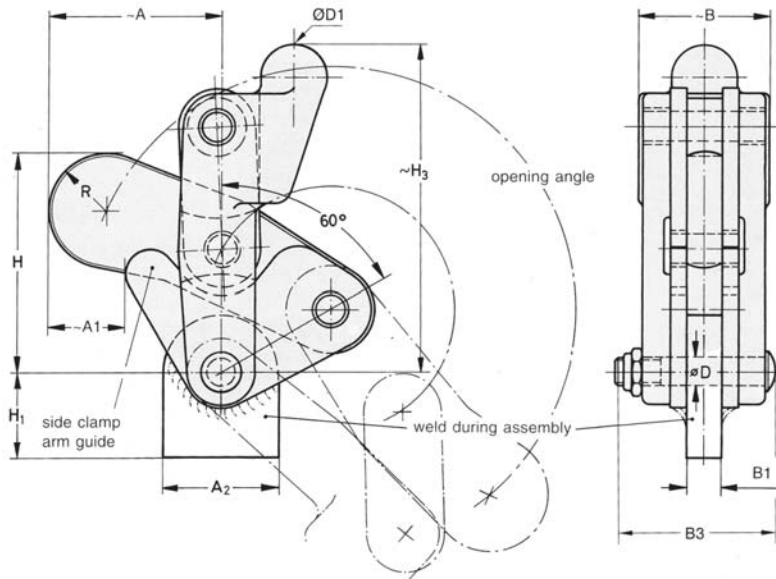
Model 505 - MB



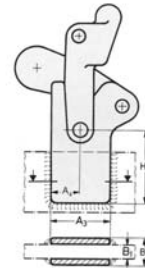
Model 505 - MLB



Application Example



with swivel mounting base



with 2 mounting plates

models 501-B
503-MB
505-MB
506-MB
508-B

models 501-LB
503-MLB
505-MLB
506-MLB

MODEL NO.	~A	~A1	A2	A3	A4	~B	B1	B2	B3	ØD	ØD1	H	H1	H2	~H3	R	OPENING ANGLE	HOLDING CAPACITY	WEIGHT (KGS)
501-B	28.5	14.5	19	-	-	28	6.4	-	28	4.7	12	28	20	-	56	9.5	200°	250	0.18
501-LB	28.5	14.5	-	28.5	14	28	6.4	12.8	28	4.7	12	28	-	33.5	56	9.5	200°	250	0.2
503-MB	39.5	13	28.5	-	-	38.5	10	-	45	7.9	18	51	20	-	88.5	13.5	200°	700	0.7
503-MLB	39.5	13	-	44.5	19	38.5	10	19.6	45	7.9	18	51	-	50	88.5	13.5	200°	700	0.8
505-MB	56.5	25	35	-	-	48	12.3	-	54	9.5	22	71.5	28	-	110	18	200°	1100	1.4
505-MLB	56.5	29	-	53	27.5	48	12.3	21.9	54	9.5	22	71.5	-	63.5	110	18	200°	1100	1.5
506-MB	72	32.5	51	-	-	60	16	-	67	12.7	28	87.5	33	-	135	21	200°	2250	2.6
506-MLB	72	35	-	65.5	37	60	16	28.8	67	12.7	28	87.5	-	76	135	21	200°	2250	2.8
508-B	66	17	70	-	-	69	19	-	79	15.8	35	102	33.5	-	174	20	215°	3400	4.2

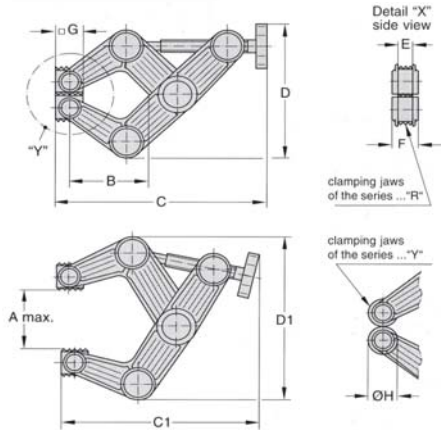


DAWN / DE-STA-GO COMPOSITE (NON METALLIC) CLAMPS

Manufactured from high strength glass reinforced nylon, which is light weight and has a high stability, electro-insulating and resistant against chemicals. These composite clamps were specially developed for light to medium duty applications in the chemical, electronics, wood, craft and model making industries.

Cantilever Clamps

Model CC1, CC2, CC3, CC4

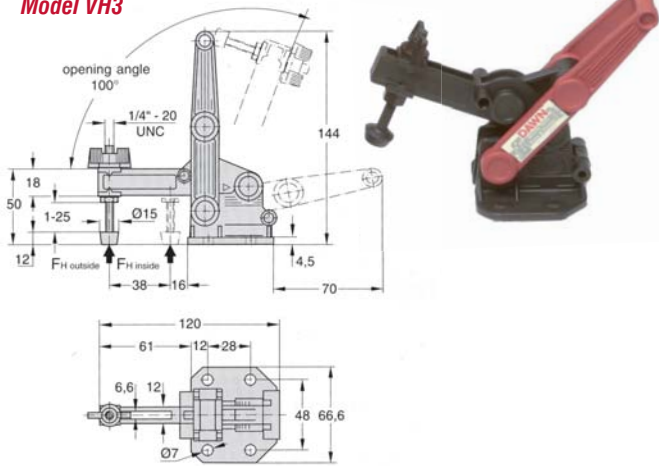


Features:

The hard and the soft rotatable clamping jaws of the series... R adapt to the workpiece when clamping jaws can be used both on their flat and on their notched side. The series... -Y comprises soft, round and rotatable clamping jaws for delicate workpiece surfaces.

Vertical Clamps

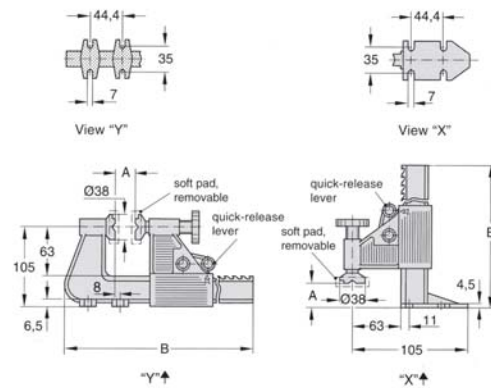
Model VH3



Model	Holding Capacity	Weight kg	Amax	B	C	C1	D	D1	E	F	G	ØH
VH3		65 kgs	0.1									
SL3		110 kgs	0.1									
BC6		70 kgs	0.4	0-150	335							
BC18		70 kgs	0.51	0-450	640							
BCBM6		70 kgs	0.4	0-150	270							
CC1-R & CC1-Y	4 kgs	0.01	22	19	50	55	32	42	2.5	6	6.5	8.5
CC2-R & CC2-Y	35 kgs	0.06	60	47	127	155	80	102	6	14.2	16	a20
CC3-R & CC3-Y	70 kgs	0.22	90	76	200	255	130	162	9.6	22.4	25	31
CC4-R & CC4-Y	100 kgs	0.71	140	114	300	390	190	243	14.2	33.2	38	47

Rack Clamps

Model BC6, BC18, BCBM6

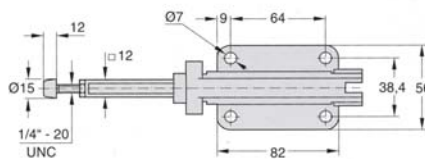
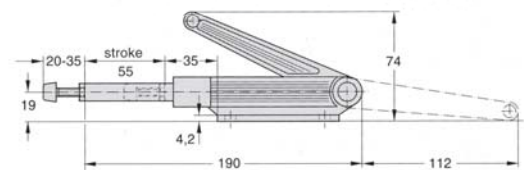


Operation

The clamp arm may be released from the rack by means of the quick release lever and locked in the desired clamping position within the range of the rack. These clamps exert their clamping force by means of their spindle hand wheel. The clamping plates are vee notched to hold round stock. The clamping plate of the clamp arm does not rotate during the clamping travel.

Straight-line Clamps

Model SL3



DAWN / DE-STA-CO PNEUMATIC (OR HYDRAULIC) POWERED CLAMPS - FOR AUTOMATION IN YOUR FABRICATION

A pneumatic or hydraulic cylinder provides the activating force. The rugged construction provides repetitive production operations but at a cost low enough for short run jobs. These clamps also have the desirable safety feature of being mechanically locked (when fully closed) so that even a total loss of pressure will not cause them to cycle. All these clamps are self-contained. They simply need to be mounted and attached to air or hydraulic lines. Sensors for end position sensing allow the clamps to be used in automated production.



PNEUMATIC (OR HYDRAULIC) POWERED CLAMPS - Hold Down

Come with solid bar or U-bar, ideal for production line with short cycles

MODEL NO.	HOLDING CAPACITY	BAR OPENS
802	90 kgs	95°
812	65 kgs	90°
807-L	220 kgs	92°
807-UL	150 kgs	92°
810-S	340 kgs	95°



MODEL NO.	HOLDING CAPACITY	BAR OPENS
810-U	270 kgs	95°
847-S	450 kgs	95°
847-U	360 kgs	95°
849	900 kgs	90°
858	1800 kgs	92°



PNEUMATIC (OR HYDRAULIC) POWERED CLAMPS

Hold Down with bar at right angle to cylinder. Can be mounted on the side or top (except model 868) of fixture.

Model 817-U



MODEL NO.	HOLDING CAPACITY	BAR OPENS
817-S	200 kgs	90°
817-U	150 kgs	90°
827-S	300 kgs	88°
827-U	270 kgs	88°
868	1800 kgs	90°

PNEUMATIC (OR HYDRAULIC) POWERED CLAMPS - Straight-Line (Plunger) Action

Plunger is drilled and tapped to receive your custom fixture

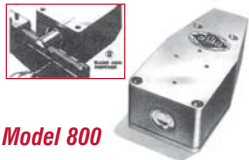
Model 850



MODEL NO.	HOLDING CAPACITY	PLUNGER TRAVEL
803	270 kgs	19 mm
816	90 kgs	11 mm
830	1100 kgs	32 mm
850	7200 kgs	50 mm

LOW PROFILE PNEUMATIC RETRACTOR CLAMPS

Clamp arm moves forward and pivots down to hold workpiece firm in position, and retracts fully for loading and unloading.



MODEL NO.	HOLDING CAPACITY
800	360 kgs
800-E	227 kgs
1200	540 kgs
1200-E	352 kgs

PNEUMATIC SWING CYLINDER

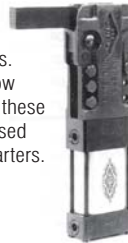
Quick 90° swing and 12.7mm downward clamping stroke reduces cycle times.



MODEL NO.	HOLDING CAPACITY
8000	16 kgs
8100	16 kgs
8200	93 kgs
8300	93 kgs

PNEUMATIC HEAVY DUTY POWER CLAMPS

Designed for exceptional clamping forces. Extremely narrow profile enables these clamps to be used in cramped quarters.



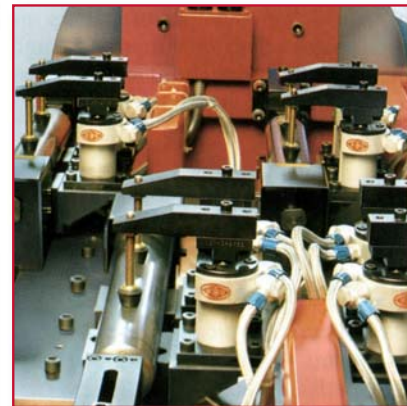
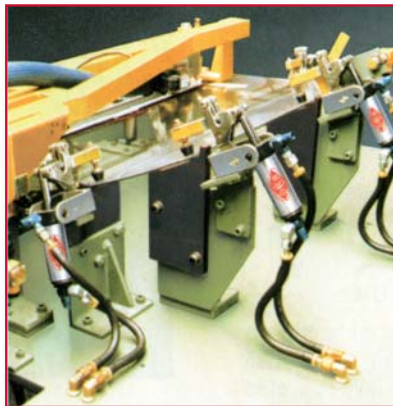
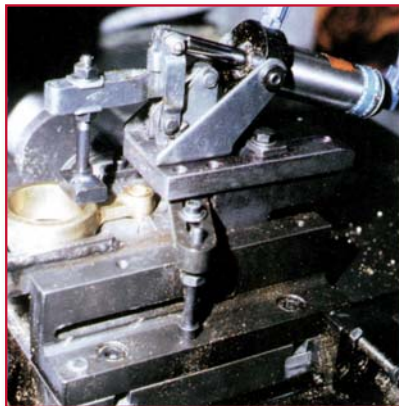
MODEL NO.	HOLDING CAPACITY	BAR OPENS
840	680 kgs	100°
860	1360 kgs	96°
890	2270 kgs	96°
1000	4540 kgs	98°

PNEUMATIC POWER ARM CLAMPS

These models use a roller and cam principle to clamp work of inconsistent thickness and still maintain a locked condition.



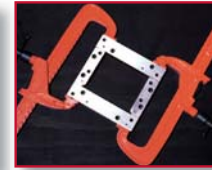
MODEL NO.	HOLDING CAPACITY	BAR OPENS
870	900 kgs	112°
871	900 kgs	126°



DAWN / CARVER RACK CLAMPS

These clamps, which consist of a frame and movable jaw, are sturdier than other "G"-clamp designs. Made from high-tensile, heat-treated steel. They hold work securely by two jaws, not a single jaw and a screw. Spring loaded jaw stays in position when pressure is removed. Jaw tilts to securely clamp angled surfaces. Tightening screw is shielded and positioned away from the work for protection from weld spatter and debris. For added versatility, the clamps can be used for spreading or locating, as well as for squeezing.

	Model No.	Part No.	Clamping Force (daN)	Jaw Opening (mm)	Throat Depth (mm)	Overall Length (mm)	Weight (kg)
Standard Duty	T186 -150	301003	1130	150	60	245	1.4
	T186 -300	301005	1130	300	60	395	1.8
	T186 -500	301009	1130	500	60	640	2.5
	T186 -750	301012	1130	750	60	890	3.2
Standard Duty Long Reach	T321 - 250	301101	565	250	120	360	2.0
	T321 - 600	301313	565	600	120	715	3.5
Medium Duty	T290 - 225	301046	1800	225	90	420	5.5
	T290 - 450	301049	1800	450	90	655	7.0
	T290 - 750	301052	1800	750	90	959	8.5
	T290 - 1000	301055	1800	1000	90	1216	10.5
Medium Duty Long Reach	T285 - 225	301035	900	225	200	420	7.1
	T285 - 450	301037	900	450	200	655	8.5
	T285 - 750	301039	900	750	200	959	10.0
	T285 - 1000	301055	900	1000	200	1216	11.5
Heavy Duty	T257 - 150	301172	2700	150	115	403	9.8
	T257 - 300	301173	2700	300	115	555	10.9
	T257 - 450	301174	2700	450	115	710	12.2
	T257 - 600	301175	2700	600	115	850	13.1
	T257 - 900	301176	2700	900	115	1165	15.8
	T257 - 1350	301177	2700	1350	115	1615	19.1



No obstruction from long screw.
Ideal for structural steel fabrication.

Unaffected by weld spatter.
Screw is shielded and out of work area.

Holds rounds to flats.
Limited movement of moveable jaw pad and grooved face ensure positive grip on round objects.

Will operate in reverse.
Jaw may be reversed to give spreading action.

1. Loosen Screw

2. Push In Jaw Base

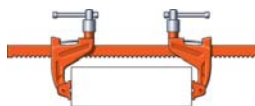
3. Slide Jaw Up or Down

4. Tighten Screw

DAWN / CARVER BAR CLAMPS

These rugged clamps, has the same features and benefits of the rack clamps and are designed for all types of applications requiring large holding capacities and jaw width. Highly versatile - jaws can be reversed to provide spreading action, or several jaws can be used on a single bar both for fixturing and positive component location and clamping. In addition, standard and medium-duty connectors are available to couple like bars together for increased clamping reaches.

	Model No.	Part No.	Clamping Force (daN)	Jaw Opening (mm)	Throat Depth (mm)	Overall Length (mm)	Weight (kg)
Standard Duty	T186 - 600	301179	1130	600	60	710	3.4
	T186 - 900	301180	1130	900	60	1020	4.4
	T186 - 1500	301182	1130	1500	60	1625	5.8
	T186 - 2100	301184	1130	2100	60	2235	7.6
Standard Duty Long Reach	T186 - 2400	301185	1130	2400	60	2540	8.8
	T321 - 600	301187	565	600	120	710	3.5
	T321 - 900	301188	565	900	120	1020	4.5
	T321 - 1500	301190	565	1500	120	1625	5.9
Medium Duty	T321 - 2100	301192	565	2100	120	2235	7.7
	T321 - 2400	301193	565	2400	120	2540	8.9
	T290 - 900	301195	1800	900	90	1070	10.5
	T290 - 1200	301196	1800	1200	90	1390	12.1
Medium Duty Long Reach	T290 - 1500	301197	1800	1500	90	1690	14.0
	T290 - 2100	301199	1800	2100	90	2290	18.0
	T285 - 900	301203	900	900	200	1070	11.5
	T285 - 1200	301204	900	1200	200	1390	13.0
Heavy Duty	T285 - 1500	301205	900	1500	200	1690	15.0
	T285 - 2100	301207	900	2100	200	2290	19.0
	T257 - 2100	301210	2700	2100	115	2335	27.2
	T257 - 2700	301212	2700	2700	115	2945	32.0



Alternative uses of Bar Clamps

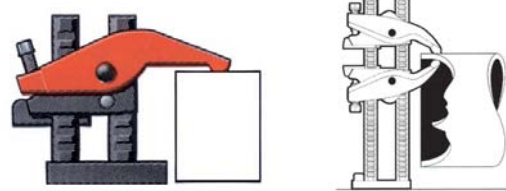


Optional Extras: T186 Connector for Standard Duty & T285 Connector for Medium Duty Clamps

DAWN / CARVER T-SLOT CLAMPS

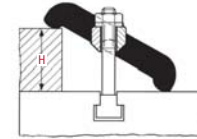
These patented clamps, designed with a single-unit clamp head and base, apply 100% of the screw force directly onto the workpiece. They also reduce setup times by up to 80%, since clamping height is adjusted simply by loosening the adjusting screw, releasing the safety catch, and lifting the clamp head. These clamps can be used at any angle. Holds work securely on many machines including planers, millers, lathes, power presses, drills etc.

	Model No.	Part No.	Clamping Force (daN)	Clamping Height Range (mm)	Weight (kg)	Reach (mm)	Fixing Bolt Diam. (mm)
Standard Duty	T400 - 100	301213	2270	25 - 100	2.3	19 or 35 (with base reversed)	M12
	T400 - 150	301227	2270	25 - 150	2.5		
	T400 - 200	301228	2270	62 - 200	2.6		
Standard Duty Long Reach	T600 - 100	301214	1600	12 - 100	2.7	57 or 73 (with base reversed)	M12
	T600 - 150	301215	1600	12 - 150	2.9		
	T600 - 200	301216	1600	50 - 200	3.0		
Heavy Duty	T402 - 150	301217	3630	0 - 150	6.3	44 or 66 (with base reversed)	M16
	T402 - 300	301218	3630	0 - 300	8.0		
	T402 - 450	301219	3630	150 - 450	8.8		
	T402 - 600	301220	3630	300 - 600	10.0		
	T402 - 750	301221	3630	450 - 750	11.7		
	T402 - 900	301222	3630	600 - 900	13.0		
	T402 - 1050	301223	3630	750 - 1050	14.5		
	T402 - 1200	301224	3630	900 - 1200	15.7		
	T402 - 1350	301225	3630	1050 - 1350	16.7		
	T402 - 1500	301226	3630	1200 - 1500	18.5		
Heavy Duty Long Reach	T602 - 150	301229	2500	0 - 150	7.3	95 or 117 (with base reversed)	M16
	T602 - 300	301230	2500	0 - 300	9.0		
	T602 - 450	301231	2500	150 - 450	9.8		
	T602 - 600	301232	2500	300 - 600	11.0		
	T602 - 750	301233	2500	450 - 750	12.7		
	T602 - 900	301234	2500	600 - 900	14.0		
	T602 - 1050	301235	2500	750 - 1050	15.5		
	T602 - 1200	301236	2500	900 - 1200	16.7		
	T602 - 1350	301237	2500	1050 - 1350	17.7		
	T602 - 1500	301238	2500	1200 - 1500	19.5		



DAWN / CARVER BUTTRESS CLAMPS

The Dawn/Carver Buttress-Style clamps are ideal for holding thin or low-profile workpieces up to 75mm thick. The clamps feature a self-aligning swivelling pivot which allows the tightening bolt to always remain vertical, preventing any side forces. H-shaped head's 4 point contact resists tendency for workpiece to rotate. Ideally suited for power presses and manual die clamping. Eliminates the need for step or riser blocks.



Working Height (H)
Note that the bolt is always straight because of the swivelling pivot. Ranges from 0-75mm depending on model.



	Model No.	Part No.	Clamping Force (daN)	Working Height (mm)	Fixing Bolt Diam. (mm)	Clamp Weight (kg)
Standard Duty	T614 - 0	301160	1300	45	M12	0.6
Medium Duty	T614 - 1	301161	6250	57	M16 or M20	2.7
Heavy Duty	T614 - 2	301162	8000	75	M24	4.3

DAWN / CARVER MACHINE VICES (EDGE GRIP CLAMPS)

Heavy duty vices enable the full length of machine bed to be used. Operates in two planes: horizontal-jaws tighten on work, vertical-jaw brings work firmly down onto machine table. Low-profile gives maximum cutter access. Rotatable fixing bosses allow 360° movement for accurate alignment. Easily adjusted with two hex keys. Ideal for milling, planing and grinding operations that can't be handled by ordinary machine vices.

	Model No.	Part No.	Horizontal Clamping Force daN	Downward Force daN	Jaw Height (mm)	Fixing Bolts (mm)	Weight (kg)
Low Profile	T500	301150	2250	900	27	M12	3.8
Heavy Duty	T550	301153	4500	1800	70	M16 or M20	24.0



Model T550 Heavy-Duty



- Select maximum bolt size to suit T-Slots on machine.
- Tighten bolts on fixed head.
- Unscrew traversing nut on moving head to allow jaw assembly to be moved forward.
- Tighten anchor bolts on moving head.
- Tighten traversing nut to exert horizontal force against workpiece.
- Tighten bolts on jaws to apply vertical pull-down to machine bed.



SPARE PARTS

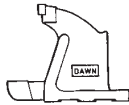
VICE JAWS

Refer to Page 11

ENGINEERS' VICES

Body c/w jaw

PART NO.	SIZE
65010	75
65012	100L
65013	100
65007	100 S.G.
65015	115
65017	125
65008	125 S.G.
65018	150
65009	150 S.G.
65019	200



Slide c/w jaw

65039	75
65040	100L
65041	100
65036	100 S.G.
65043	115
65045	125
65037	125 S.G.
65046	150
65038	150 S.G.
65047	200



Main Nut

65065	75
65066	100L
65067	100
65068	115
65069	125 / 150
65071	200



Main Screw & Handle

65092	75
65093	100L
65094	100
65095	115
65096	125
65097	150
65099	200



Washer, Pin & Spring Assy

65113	75
65114	100L
65115	100
65120	115
65121	125 / 150
65122	200



ENGINEERS' OFFSET VICES

Body c/w jaw

65029	100
65031	125
65032	150



Slide c/w jaw

65057	100
65059	125
65060	150



PART NO. SIZE

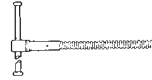
Main Nut

65072	100
65069	115 / 125
65070	150



Main Screw & Handle

65095	100
65096	115
65097	125
65098	150



Washer, Pin & Spring Assy

65120	100
65121	115 / 125
65122	150



ENGINEERS' FABRICATED VICES

Main Nut

65078	100
65079	125 / 150
65080	200



Main Screw & Handle

65108	100
65096	125
65097	150
65099	200
65111	200 O/S



Washer, Pin & Spring Assy

65120	100
65121	125 / 150
65122	200



WOODWORKERS' VICES

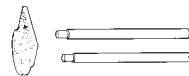
Body

65222	175 HC
65223	175
65224	200
65225	225
65226	250



Front Plate & Slide Bars Assy

65239	175 HC
65240	175
65241	200
65242	225
65243	250



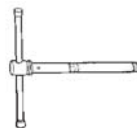
Main Nut

65255	175 / 200
65256	225 / 250



Main Screw & Handle

65264	175 HC
65266	175 / 200
65267	225 / 250



Washer & Pin Assy

65289	175 / 200
65290	225 / 250



BENCH SCREW

65297	Nut
-------	-----

PART NO. SIZE

MACHINE VICES

Main Screw & Handle

65089	75
65090	100
65091	125



PIPE VICES

Model C2 (50mm)

65319	Handle
65301	Screw
65331	Chain
65325	Nut
65336	Chain & Screw Assy
65350	Chain, Screw, Handle & Nut
65343	Handle & Nut
65410	Body (with jaws)



Model C4 (100mm)

65320	Handle
65302	Screw
65332	Chain
65326	Nut
65337	Chain & Screw Assy
65351	Chain, Screw, Handle & Nut
65344	Handle & Nut
65411	Body (with jaws)

Model C6 (150mm)

65320	Handle
65303	Screw
65333	Chain
65327	Nut
65338	Chain & Screw Assy
65352	Chain, Screw, Handle & Nut
65345	Handle & Nut
65412	Body (with jaws)

PIPE BENDER

67043	Hydraulic Unit
67047	Pump Handle
67062	Pump & Piston Assy
67063	Release Valve & Seal
67065	Ram
67066	Seal Kit (all seals & 'O' rings)



GRINDING WHEEL DRESSERS

Spindle & Bushes

67193	No. 0
67194	No. 1

'G' CLAMPS

Screws

66012	75
66013	100
66015	150
66016	200
66017	250
66018	300



Swivel Pads

66004	75 / 100
66005	150
66006	200 / 250 / 300



PART NO. SIZE
FORGED 'G' CLAMPS

Screws

66012F	75
66013F	100
66015F	150
66016F	200



Swivel Pads

66004F	75
66005F	100 / 150
66006F	200

QUICK ACTION CLAMPS (OLD)

Sizes 150 & 200

66020	Fixed Jaw
66024	Sliding Jaw
66023	Screw & Handle
66005	Swivel Pad
66001	Plastic Handle



Sizes 250 to 1000

66021	Fixed Jaw
66025	Sliding Jaw
66023	Screw & Handle
66005	Swivel Pad
66001	Plastic Handle

PART NO. SIZE
QUICK ACTION CLAMPS (NEW)

Sizes 150 & 200

66020N	Fixed Jaw
66024N	Sliding Jaw
66026N	Protective Pad
66022N	Screw & Handle
66003N	Swivel Pad
66001N	Plastic Handle



Sizes 250 to 2000

66021N	Fixed Jaw
66025N	Sliding Jaw
66027N	Protective Pad
66023N	Screw & Handle
66005N	Swivel Pad
66001N	Plastic Handle

ALL STEEL FITTER'S CLAMPS

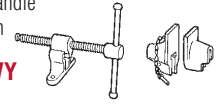
Swivel Pads / Pressure Plates

46325	43113
46326	43114 & 43115
46327	43116 - 43123
46330	43224 - 43335
46395	43436
46396	43437 - 43441



PART NO. SIZE
T-BAR CRAMPS - LIGHT

66040	Front Jaw
66044	Back Jaw (incl. pin & chain)
66034	Nut c/w Rivet
66028	Screw & Handle
66062	Pin & Chain



T-BAR CRAMPS - HEAVY

66041	Front Jaw
66045	Back Jaw (incl. pin & chain)
66035	Nut c/w Rivet
66029	Screw & Handle
66063	Pin & Chain



**DAWN
GENERAL
ENGINEERING**



Integral to the Dawn Tools & Vices Pty. Ltd. manufacturing facility is the Dawn General Engineering section where the engineering processes used in the manufacture of premium quality vices and clamps can also produce a range of other quality, non-related components and products.

Our capabilities include:

- Mild steel and Stainless Steel Welding & Fabrication
- Robotic Welding
- Grinding
- Bending, Folding and Forming
- Drilling and Tapping
- Spray Painting
- Turning
- CNC Machining Centre
- Thread Cutting
- Milling
- Packaging
- Pressing
- Plasma Cutting
- Assembly

We can accommodate low, medium or high level of production at very competitive prices and are committed to supplying quality on time deliveries. If you have a requirement for General Engineering work, please contact us for a prompt quotation.

108 McEwan Road, Heidelberg West, Vic 3081, P.O. Box 5187. Phone: (03) 9457 6111 Fax: (03) 9457 4700 Email: sales@dawntools.com.au



Aerotech Fans

PTY. LTD.

Excellence in Industrial Fans
Since 1943



SIZE	MAVA MAVZ			
	A	B	B	C
150	410	304	254	300
180	490	364	306	370
210	574	426	356	420
240	656	486	406	475
270	738	546	458	535
302	826	612	512	620
340	928	688	578	675

T	U	V	W	X	Y	Z	INLET FL.				CENTER HT.			
							XX	YY	ZZ	FA	FB	FC	FD	
40	11	408	488	8	456	11	480	410	370	40	40	40	40	
40	11	490	570	8	538	14	580	490	430	40	40	40	40	
40	12	570	650	8	618	12	650	550	490	40	40	40	40	
40	12	650	750	12	706	13	740	620	550	40	40	40	40	
40	13	730	830	12	788	13	840	690	620	40	40	40	40	
40	14	818	918	12	872	14	910	770	690	40	40	40	40	
40	14	918	1048	12	990	14	1040	870	770	40	40	40	40	

OUR INDUSTRIAL FAN DIVISION: AEROTECH FANS PTY. LTD.

P.O. Box 5186, 3 Culverlands Street, West Heidelberg, Victoria 3081, Australia
 Tel: +61 3 9455 2700 Fax: +61 3 9455 2800 Email: sales@aerotechfans.com.au
 Website: www.aerotechfans.com.au

Proud of our Heritage

Since 1917

DAWN



DAWN
PRODUCTS



DAWN
Tools & Vices



Inside the Dawn Manufacturing Co. machine shop 1940s.



1931 Machine shop employees.



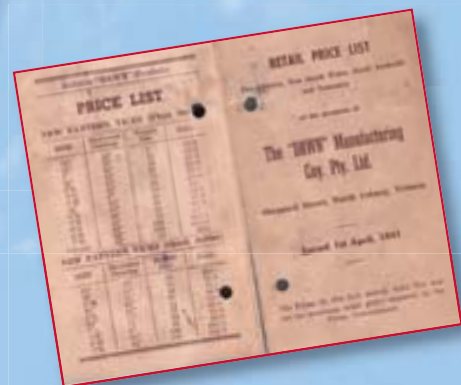
Molten metal being poured into the moulds.



Original overhead belt driven machines.



Norm Martin, who worked at DAWN for 50 years, taking great care in machining a vice slide to ensure the "DAWN" reputation for exceptional quality.



1933 Foundry employees outside the factory in Service Street, Coburg, Victoria.



DAWN TOOLS & VICES PTY. LTD.

PO Box 5187, 108 McEwan Road, Heidelberg West, Victoria 3081, Australia

Telephone: + 61 3 9457 6111 Facsimile: + 61 3 9457 4700

E-mail: sales@dawntools.com.au

View our complete catalogue on our website @ www.dawntools.com.au

Available from:

